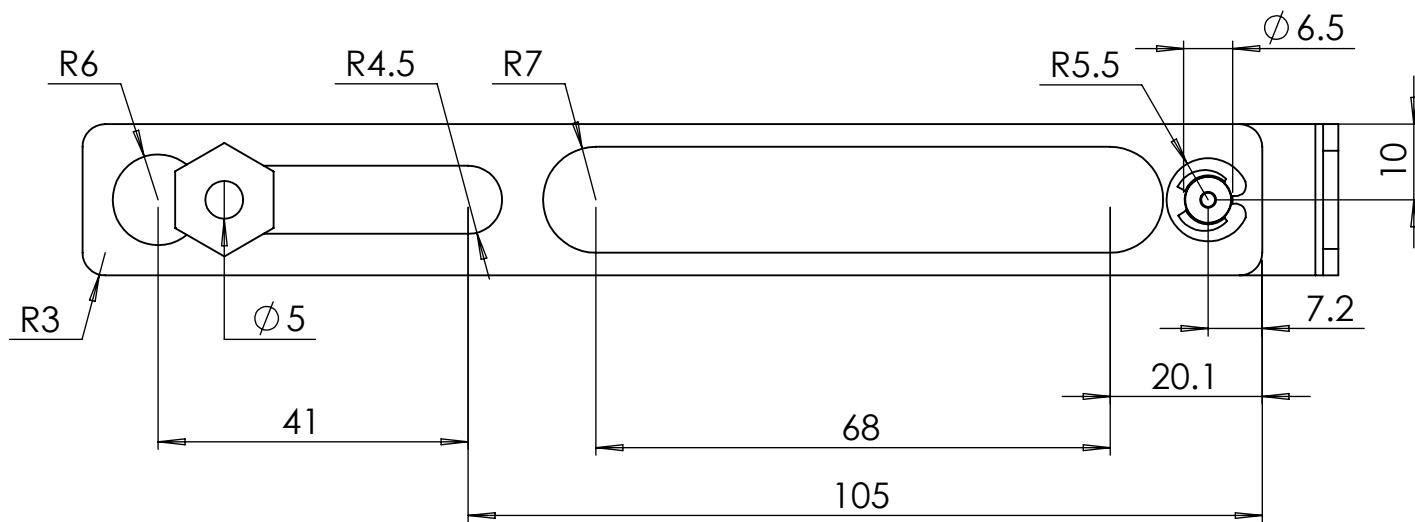
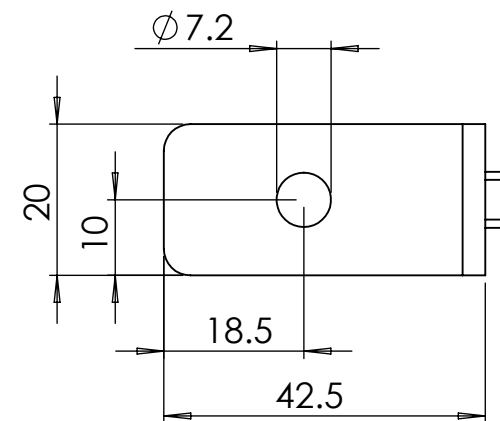


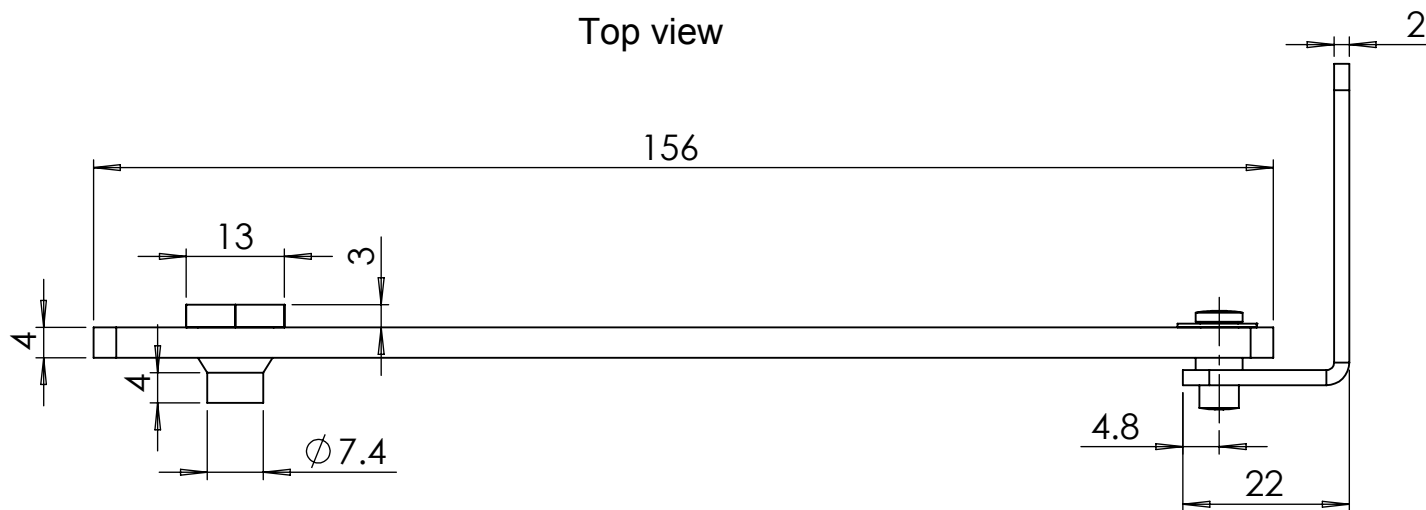
Front view



Side view



Top view



Drawn by : bvgрма	Date: 21-02-2013	Finish : Zinc plated steel	SCALE:1:1	General tolerances according to Norm ISO 2768-1	
Checked by : mderpu	Date : 21-02-2013				
Revision : 01				Fine	Medium
		Wall Mounting Accessories, Door stop		Reference number :	
				ADO201	
				A4	
				Page 1/1	