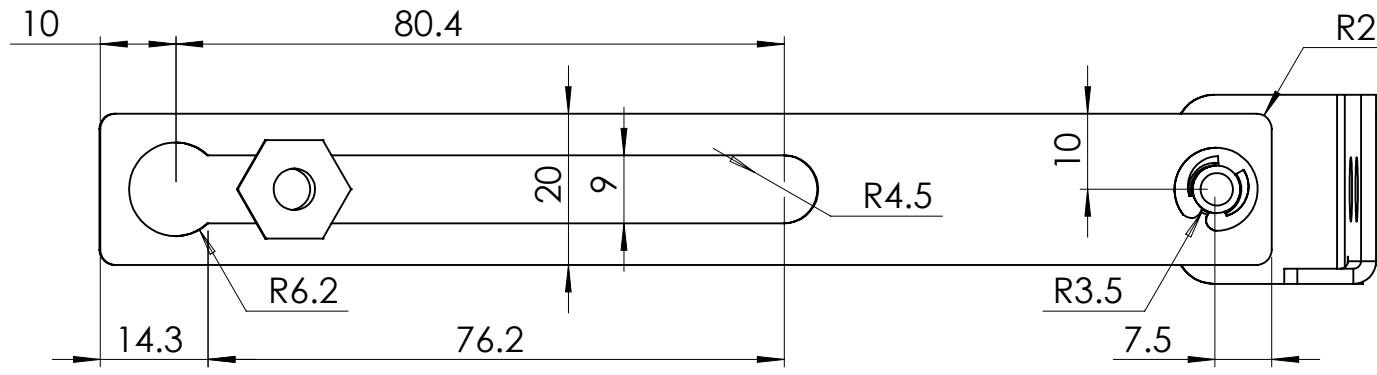
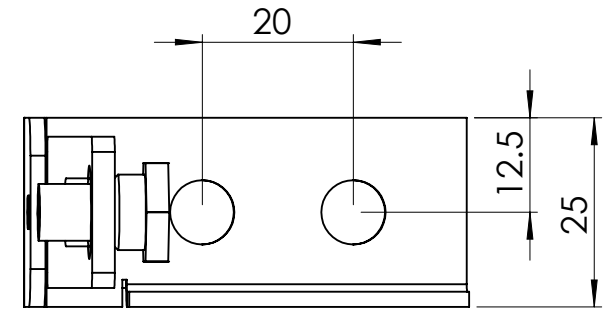


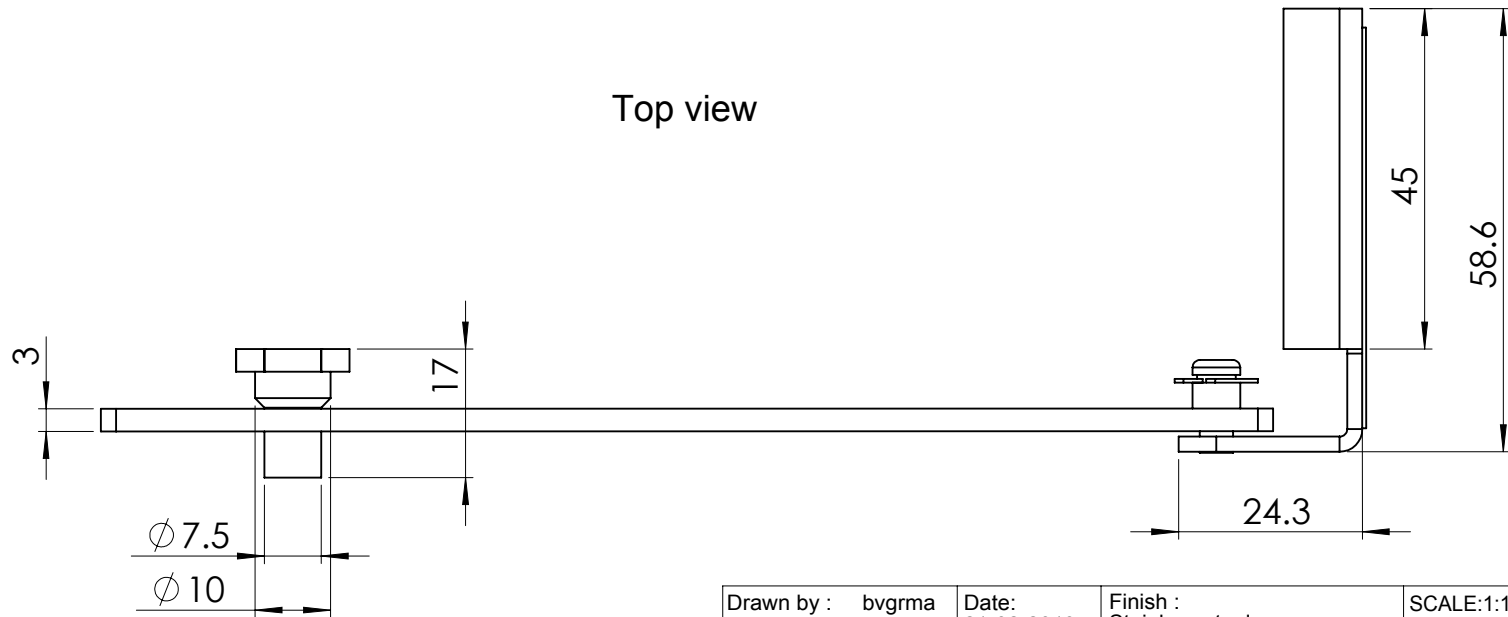
Front view



Side view



Top view



Drawn by : bvgрма	Date: 21-02-2013	Finish : Stainless steel	SCALE:1:1	General tolerances according to Norm ISO 2768-1		
Checked by : mderpu	Date : 21-02-2013					
Revision : 01				Fine	Medium	Coarse
		Wall Mounting Accessories, Door stop		Reference number :		
				ADO200S		
				Page 1/1		

A4