

0262



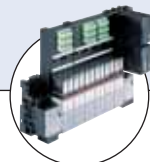
2/2-way valve for medium up to +140°C

- Normally closed or open
- Body material: Brass, Stainless steel
- Double spindle seal
- Compact design

Type 0262 can be combined with...



Type 6012/6014P
Pilot valve



Type 8640/8644
Valve Block



Type 8645
Valve Block

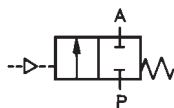


Type 8311
Pressure Sensor/Switch

The externally controlled valve is pneumatically operated. It consists of a diaphragm actuator and a 2-way valve body. The diaphragm actuator moves a spindle with valve disc against a spring and switches the valve. The spindle is designed glandless with double seal. The actuator body is made out of epoxy resin.

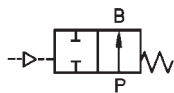
Circuit function A

2/2-way valve, externally controlled, normally closed by spring operation with pilot valve



Circuit Function B

2/2-way valve, externally controlled, normally opened by spring, operation with pilot valve

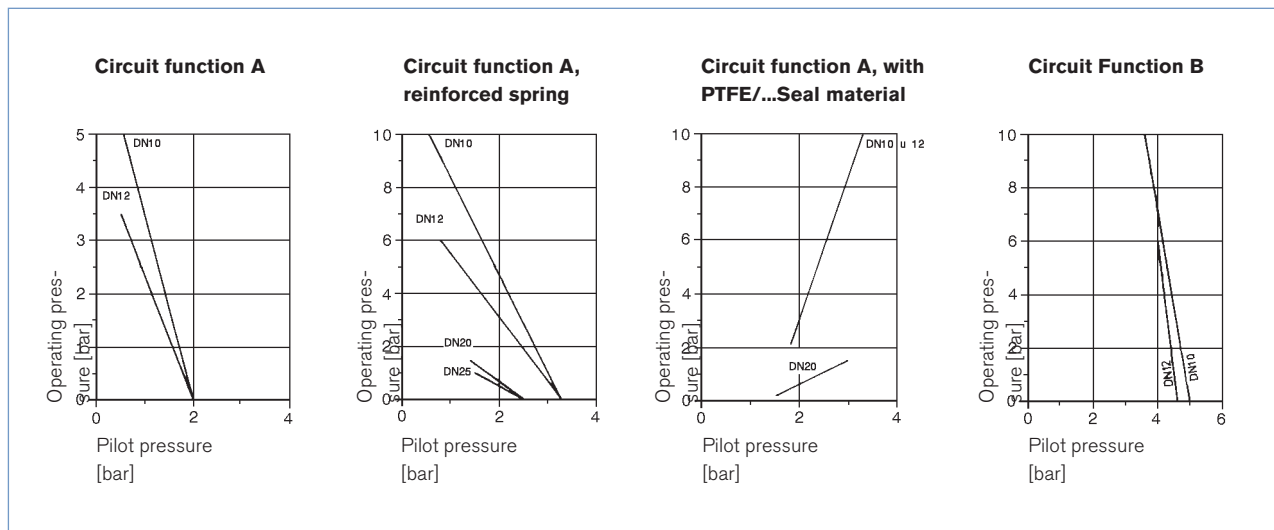


Technical data	
Body material	Brass, stainless steel
Inner part valve	Stainless steel
Actuator	Epoxy resin
Seal material	NBR, FKM, PTFE/FKM, EPDM, PTFE/EPDM
Medium	neutral medium (e.g. compressed air, town gas, water, hydraulic oil) per-solution, oxygen, hot air oil and fat-free medium e.g. hot water, alkaline washing and bleaching lyes oil and fat-free medium, e.g. hot water and steam hot oils, hydrocarbonated water, aromatics and steam
Viscosity	max. 100 mm ² /s
Medium temperature	NBR -10 up to + 90 °C FKM -10 up to +100 °C EPDM -10 up to +100 °C PTFE/EPDM -10 up to +140 °C PTFE/FKM -10 up to +140 °C
Control medium	neutral gases and liquids, in particular air, water, hydraulic liquids up to max. +90 °C
Pilot pressure	see diagram
Ambient temperature	-10 up to +90 °C
Installation	As required, preferably with actuator upright
Flow rate	measured at +20°C, 1 bar pressure at valve inlet and free outlet Kv value water [m ³ /h]:
Pressure values [bar]	Measured as overpressure to the atmospheric pressure
Response times [ms]:	Measured at valve outlet at 6 bar and +20°C. Opening Pressure relief 0 90% Closing Pressure drop 100 to 10%

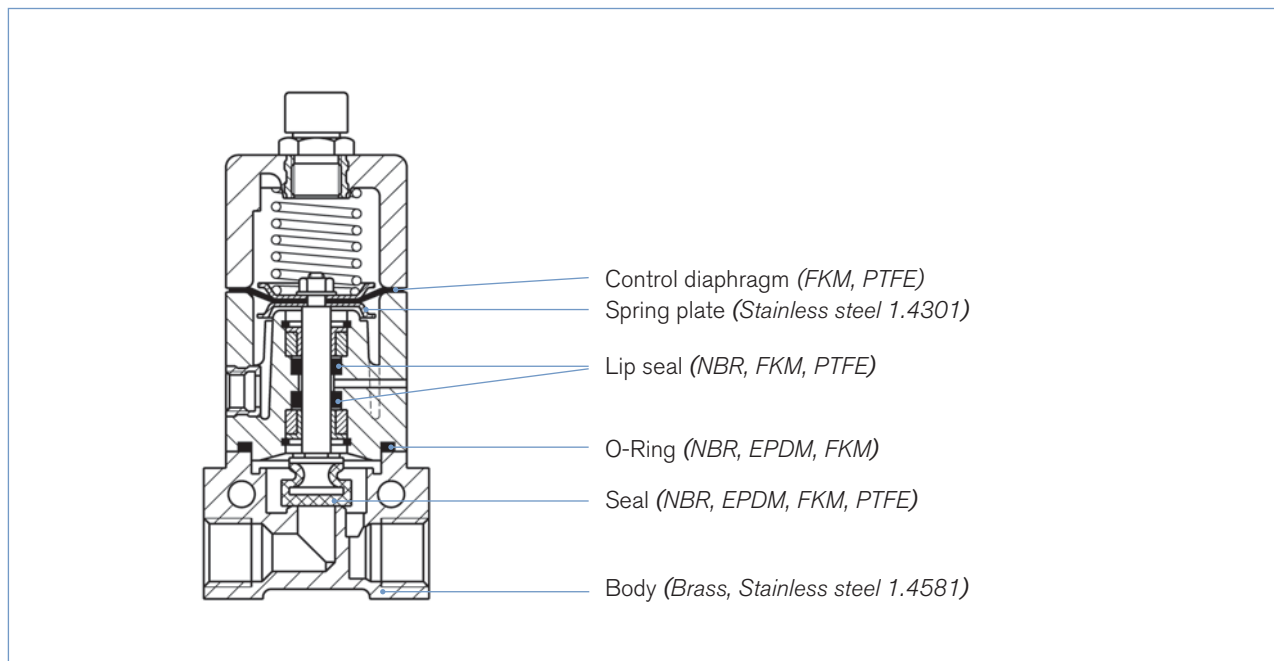
Technical data *continued*

Orifice [mm]	Kv value water [m ³ /h]	Port connection	Pressure range of circuit function			Weight [kg]
			A normal spring [bar]	A reinforced spring [bar]	B normal spring [bar]	
10	1.0	G 3/8	0 - 5	0 - 10	0 - 10	0.5
12	2.1	G 1/2	0 - 3.5	0 - 6	0 - 10	0.6
20	6.5	G 3/4	-	0 - 1.5	0 - 1.5	1.0
25	10.0	G 1	-	0 - 1	0 - 1	1.4

Operating pressure chart - pilot pressure



Material

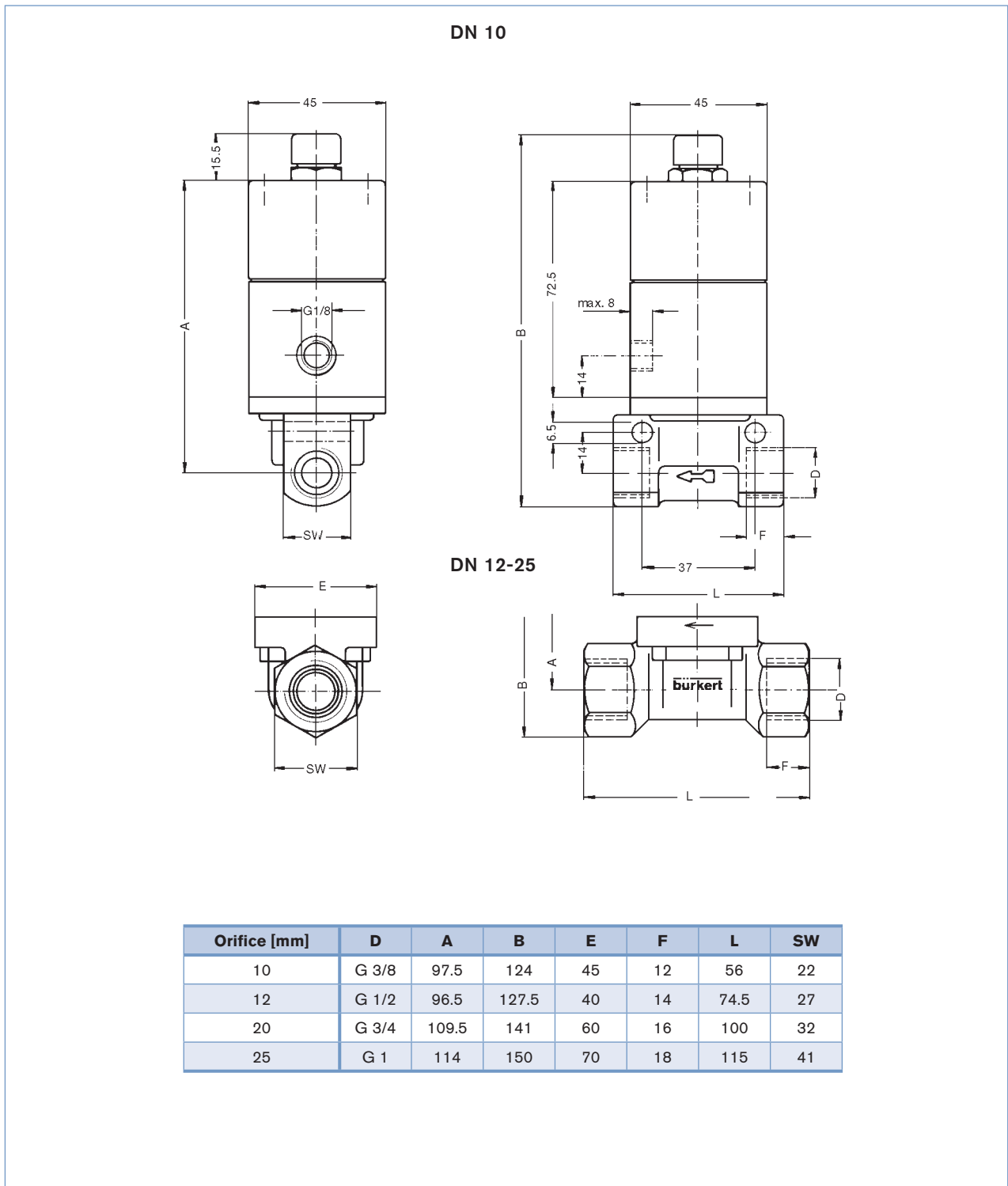


Ordering chart for valves (other versions on request)

Valves with threaded port connection

Circuit function	Orifice [mm]	Port connection	Kv value water [m ³ /h]	Spring	Pressure range [bar]	Seal material	Item no.	
Brass body								
A	10	G 3/8	1.0	normal	0-5	EPDM	026 059	
						FKM	026 257	
						NBR	026 287	
				reinforced	0-10	EPDM	027 400	
						FKM	026 459	
						NBR	027 643	
	12	G 1/2	2.1	normal	0-3.5	PTFE/FKM	026 457	
						EPDM	027 545	
						FKM	026 088	
				reinforced	0-6	NBR	027 734	
						EPDM	026 079	
						FKM	027 926	
	20	G 3/4	6.5	reinforced	0-1.5	NBR	027 991	
						PTFE/EPDM	026 200	
						PTFE/FKM	028 004	
25	G 1	10.0	reinforced	0-1	EPDM	028 211		
					FKM	028 046		
					NBR	028 072		
B	10	G 3/8	1.0	normal	0-10	EPDM	029 106	
						FKM	028 410	
						NBR	028 071	
	12	G 1/2	2.1	normal	0-10	EPDM	026 812	
						FKM	027 891	
						NBR	026 290	
	20	G 3/4	6.5	normal	0-1.5	EPDM	027 988	
						FKM	026 715	
						NBR	026 298	
	Stainless steel body	12	G 1/2	2.1	reinforced	0-6	EPDM	028 557
							FKM	027 773
							NBR	027 639
A	12	G 1/2	2.1	reinforced	0-6	EPDM	028 080	
						PTFE/FKM	027 557	

Dimensions [mm]



To find your nearest Bürkert facility, click on the orange box
www.burkertdirect.com