



Main

| | |
|-----------------------------|---|
| Range of product | Harmony XAC |
| Product or component type | Pendant control station |
| Control station name | XACA pistol grip |
| Control station type | Double insulated |
| Enclosure material | Polypropylene |
| Control type | Intuitive |
| Electrical circuit type | Control circuit |
| Enclosure type | Complete ready for use |
| Control station application | Control of single speed hoist motor |
| Control station composition | 2 pushbuttons |
| Control button type | First pushbutton 1 NC + 1 NO raise, slow Second pushbutton 1 NC + 1 NO lower, slow |
| Contact block name | ZB2BE102 + ZB2BE101 for each direction |
| Mechanical interlocking | With mechanical interlocking |

Complementary

| | |
|---|---|
| Control station colour | Yellow |
| Connections - terminals | Screw clamp terminals, connection capacity: 1 x 2.5 mm ² with or without cable end Screw clamp terminals, connection capacity: 2 x 1.5 mm ² with or without cable end |
| Mechanical durability | 1000000 cycles |
| Cable entry | Rubber sleeve with stepped entry, cable outer diameter: 7...15 mm |
| Contact code designation | A600 AC-15, U _e = 240 V, I _e = 3 A conforming to IEC 60947-5-1 appendix A A600 AC-15, U _e = 600 V, I _e = 1.2 A conforming to IEC 60947-5-1 appendix A Q600 DC-13, U _e = 250 V, I _e = 0.27 A conforming to IEC 60947-5-1 appendix A Q600 DC-13, U _e = 600 V, I _e = 0.1 A conforming to IEC 60947-5-1 appendix A |
| [I _{the}] conventional enclosed thermal current | 10 A |
| [U _i] rated insulation voltage | 600 V (degree of pollution: 3) conforming to IEC 60947-1 |
| [U _{imp}] rated impulse withstand voltage | 6 kV conforming to IEC 60947-1 |
| Contacts operation | Slow-break |
| Resistance across terminals | <= 25 MOhm |
| Operating force | 13...15 N |
| Short circuit protection | 10 A fuse protection by cartridge fuse type gG |
| Rated operational power in W | 40 W DC-13 for 1000000 cycles, operating rate = 60 cyc/mn at 120 V, load factor = 0.5 (inductive load) conforming to IEC 60947-5-1 appendix C 48 W DC-13 for 1000000 cycles, operating rate = 60 cyc/mn at 48 V, load factor = 0.5 (inductive load) conforming to IEC 60947-5-1 appendix C 65 W DC-13 for 1000000 cycles, operating rate = 60 cyc/mn at 24 V, load factor = 0.5 (inductive load) conforming to IEC 60947-5-1 appendix C |
| Terminals description ISO n°1 | (11-12)NC (13-14)NO |
| Terminal identifier | (11-12)NC (13-14)NO |
| Product weight | 0.3 kg |

Environment

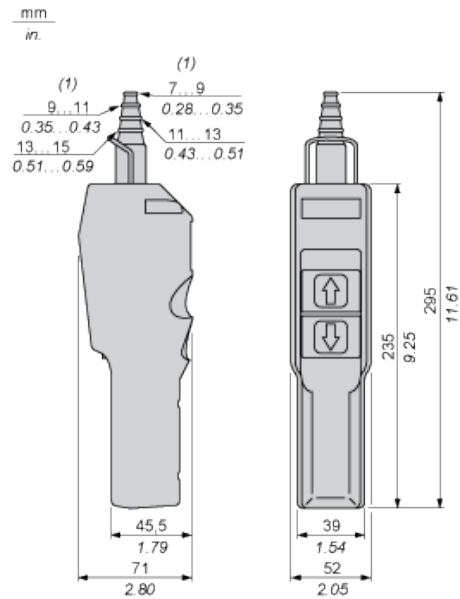
| | |
|---------------------------------------|--|
| Standards | EN/IEC 60204-32 EN/IEC 60947-5-1 UL 508 CSA C22.2 No 14 |
| Product certifications | CSA UL |
| Protective treatment | TH |
| Ambient air temperature for operation | -25...70 °C |

| | |
|--|---|
| Ambient air temperature for storage | -40...70 °C |
| Vibration resistance | 15 gn (f = 10...500 Hz) conforming to IEC 60068-2-6 |
| Shock resistance | 100 gn conforming to IEC 60068-2-27 |
| Class of protection against electric shock | Class II conforming to IEC 61140 |
| IP degree of protection | IP65 conforming to IEC 60529 |
| IK degree of protection | IK08 conforming to EN 50102 |

Contractual warranty

| | |
|--------|-----------|
| Period | 18 months |
|--------|-----------|

Dimensions



(1) Internal Ø

Control of Single-Speed Reversing Motor

