

iX Panel T10A

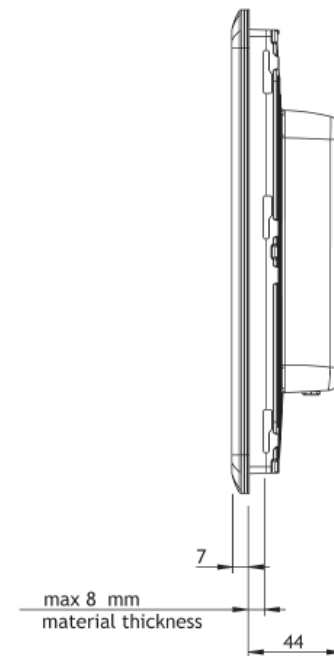
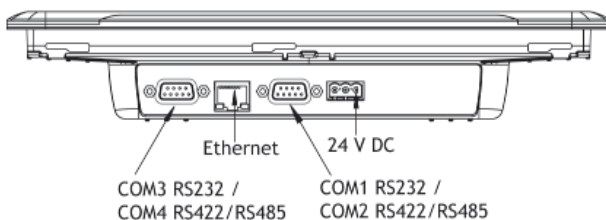
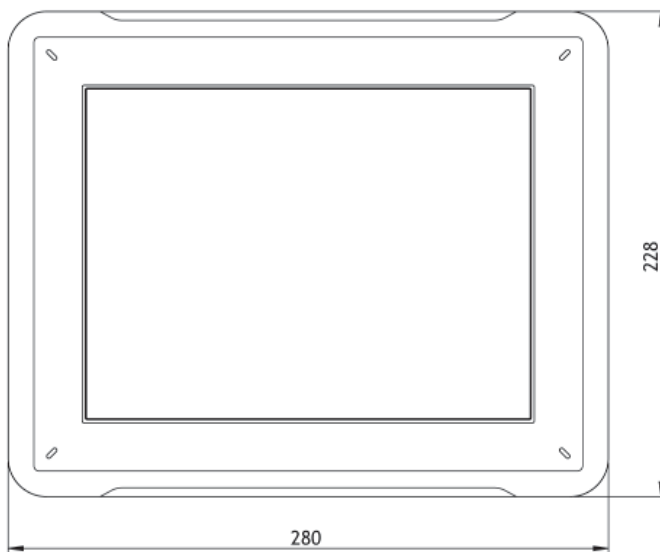
Large 10.4" Display with Powerful Software

The 10.4" iX Panel T10A is a high-performance, full-sized panel with universal connectivity. Features include a 640 x 480 pixel high-resolution 10.4" TFT-display with resistive touch screen and iX Software for automation control.



Product Highlights

- ▶ 640 x 480 pixel, 10.4" diagonal, LED lighted, TFT color LCD display with touch screen
- ▶ 10/100Base-T Ethernet
- ▶ Four serial ports (RS-232, -422, -485)
- ▶ Powder-coated aluminum housing
- ▶ iX Software with protocols for most industrial automation equipment



Dimensions shown in mm.

iX Panel T10A Specifications

| Feature | Detail | Description |
|----------------|-----------------------|--|
| Display | Type | 640 x 480, TFT Color LCD |
| | Size | 10.4" (264 mm) diagonal |
| | Lighting | White LED |
| | Brightness | 450 cd/m2 |
| Touch Screen | Type | Analog-resistive |
| Interface | Ethernet | 1 x 10 Base-T / 100 Base-TX (shielded RJ 45) |
| | Serial | 2 combined ports: 2 x RS-232, 2 x 422/485 |
| | USB | 1 x USB 2.0 full-speed, 200 mA max |
| | Communication Modules | CAN, MPI (pending) |
| Processor | Type | ARM9 400 MHz |
| Memory | RAM | 128 MB (DDR2) |
| | Flash | 80 MB |
| | Expansion | One SD card (optional) |
| Realtime Clock | Standard | Battery-backed |
| Power | Input Voltage | +24 VDC (18-32 VDC) |
| | Consumption | 9.6 Watts |
| Mechanical | Type | Panel-mount and VESA 75 x 75 |
| | Size | 280 (W) x 228 (H) x 51 (D) mm |
| | Cut-out Dimensions | 262 x 209 mm |
| | Mass | 1.5 kg |
| | Housing Material | Powder-coated aluminum |

| | | |
|----------------|-----------------------|--|
| Environmental | Sealing - Front Panel | IP65 |
| | Temperature | Operating: -10 to 60 °C; Storage: -20 to 70 °C |
| Certifications | UL | UL 508 |
| | CE | EN61000-6-4, EN61000-6-2 |

| | | |
|----------|--------------------------|--------------|
| Software | Development Environments | iX Developer |
| | Runtime Environments | iX Software |



US Office

Beijer Electronics, Inc.
2212 South West Temple #50
Salt Lake City, Utah 84115-2648 USA

www.BeijerElectronicsInc.com / 801-466-8770

Headquarters

Beijer Electronics Products AB
P.O. Box 426
201 24 Malmö, Sweden

www.BeijerElectronics.com / +46 40 35 86 00

M01-063-00 REV 03
18 OCTOBER 2012

Copyright © 2012 Beijer Electronics. All rights reserved.

The information at hand is provided as available at the time of printing. Beijer Electronics reserves the right to change any information without updating this publication. Beijer Electronics does not assume any responsibility for any errors or omissions in this publication.