



CPW

2.4 and 5 GHz Puck Antenna

Features

- Low Profile Puck Antenna
- Supports 2.4 & 4.9-5.8 GHz frequencies
- Fully Waterproof when mounted
- Groundplane Independent

Specifications

Radiating element	1/2 wave Element
Frequency range	2.4-2.5 / 4.9-5.8 GHz
Peak gain	2-3 dBi
Polarisation	Linear
VSWR	<1.5:1
Power rating	10W
Cable / Connector	SMA-Male
Dimensions	102 x 33.5mm (dxh)

Ordering Options

FCPW35168-SM-1K	CPW with 1M RG-174 and SMA-Male
FCPW35168-SM-2K	CPW with 2M RG-174 and SMA-Male
FCPW35168-SM-3K	CPW with 3M RG-174 and SMA-Male

Specifications subject to change without notice.

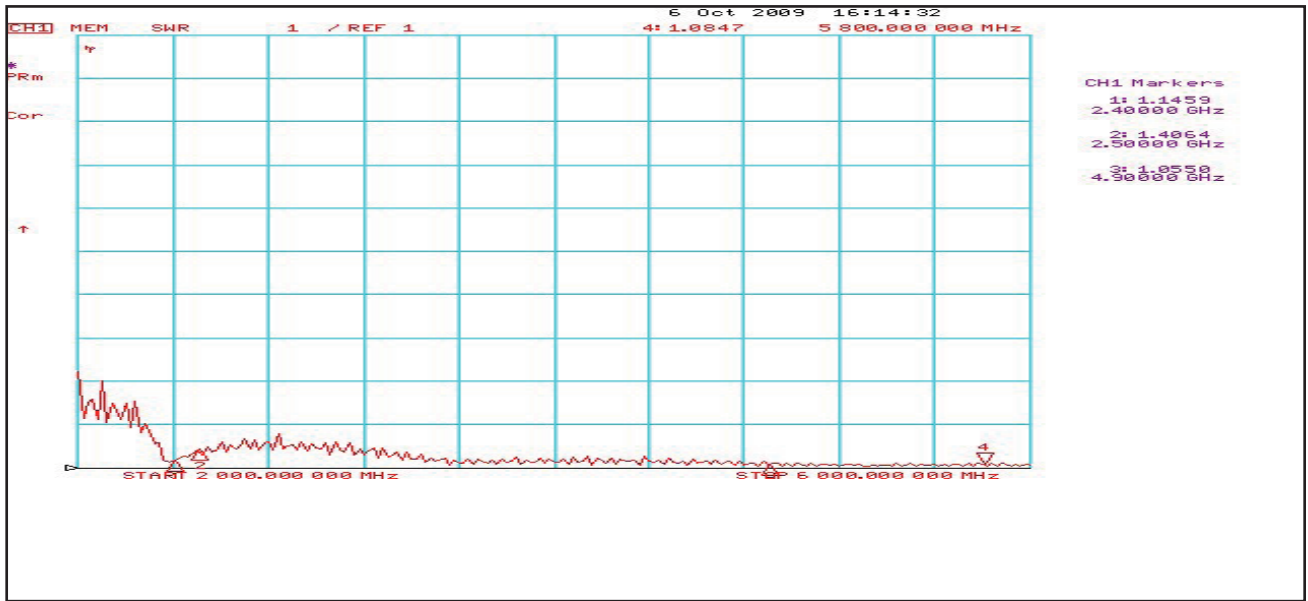
5 Little Balmer
Buckingham Industrial Park
Buckingham
MK18 1TF
UK

Tel: +44 (0)1280 824055
Fax: +44 (0)1280 817179
Email: sales@ead-ltd.com
Web: www.ead-ltd.com

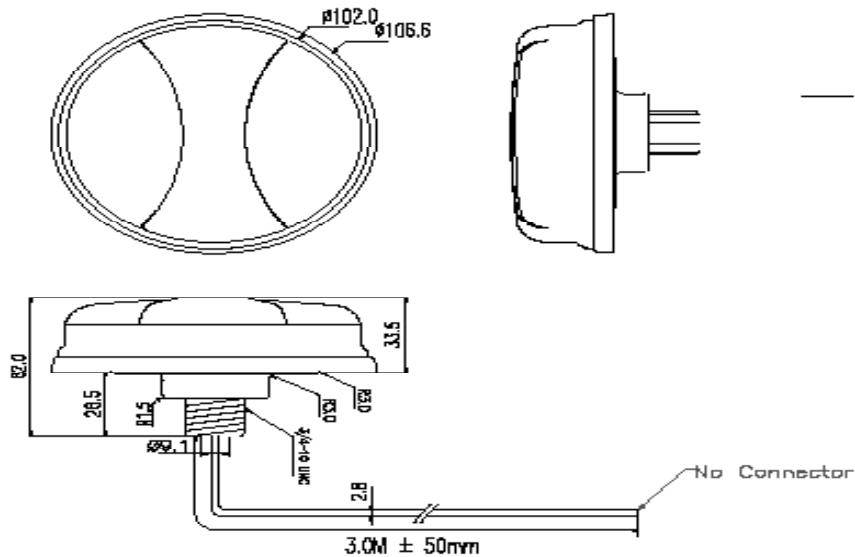


CPW | 2.4 and 5 GHz Puck Antenna

Return Loss



Outline Drawing



Specifications subject to change without notice.

5 Little Balmer
 Buckingham Industrial Park
 Buckingham
 MK18 1TF
 UK

Tel: +44 (0)1280 824055
 Fax: +44 (0)1280 817179
 Email: sales@ead-ltd.com
 Web: www.ead-ltd.com