

Router - PSI-MODEM-3G/ROUTER - 2314008

Please be informed that the data shown in this PDF Document is generated from our Online Catalog. Please find the complete data in the user's documentation. Our General Terms of Use for Downloads are valid (<http://download.phoenixcontact.com>)



Industrial UMTS/GSM router (850, 900, 1800, 1900, 2100 MHz) with Ethernet interface. Firewall, NAT and IPsec VPN support. SMA-F female antenna connector. Sending via SMS. 6 digital inputs, 4 digital outputs. Configuration via web-based management.

Product Features

- Configuration via web-based management
- Up to three VPN tunnels simultaneously
- Starting of VPN via call
- Can be used worldwide
- 2 SIM cards for maximum network availability
- High electromagnetic compatibility
- Starting of VPN via SMS
- Authentication with X.509 certificates
- Connection monitoring
- Encryption of both SIM card PINs
- Firewall
- NAT table
- 10/100 Mbps automatic detection
- Autocrossing
- UMTS mobile phone network: 850, 1900, and 2100 MHz
- Data rates of up to 7.2 Mbps
- GSM mobile phone network: 850, 900, 1800, and 1900 MHz
- Connection establishment via IP addresses



Key commercial data

package_quantity	1
GTIN	4046356594387

Technical data

Dimensions

Width	45 mm
Height	99 mm
Depth	114.5 mm

Ambient conditions

Router - PSI-MODEM-3G/ROUTER - 2314008

Technical data

Ambient conditions

Ambient temperature (operation)	-25 °C ... 65 °C (not aligned)
Ambient temperature (storage/transport)	-40 °C ... 85 °C
Permissible humidity (operation)	30 % ... 95 % (non-condensing)
Permissible humidity (storage/transport)	30 % ... 95 % (non-condensing)
Altitude	5000 m (For restrictions see manufacturer's declaration)
Degree of protection	IP20
Noise immunity	EN 61000-6-2

Serial interface

Interface 1	Ethernet interface, 10/100BASE-T(X) in acc. with IEEE 802.3u
Interface	Ethernet
Connection method	RJ45 socket, shielded
Transmission length	100 m (shielded twisted pair)
Conductor cross section solid min.	0.2 mm ²
Conductor cross section solid max.	2.5 mm ²
Conductor cross section stranded min.	0.2 mm ²
Conductor cross section stranded max.	2.5 mm ²
Conductor cross section AWG/kcmil min.	24
Conductor cross section AWG/kcmil max	14
Protocols supported	TCP/IP, UDP/IP, FTP, HTTP
Auxiliary protocols	ARP, DHCP, PING (ICMP), SNMP V1, SMTP
Serial transmission speed	10/100 Mbps, autonegotiation

Digital outputs

Output name	Digital output
Number of outputs	4
Voltage output signal	10 V DC ... 30 V DC (depending on the operating voltage)
Current output signal	50 mA (Kurzschlussfest)

Digital inputs

Description of the input	Digital input
Number of inputs	6
Voltage input signal	10 V DC ... 30 V DC

Power supply

Supply voltage range	10 V DC ... 30 V DC (via pluggable COMBICON screw terminal block)
Max. current consumption	< 800 mA (At 10 V DC (incl. 4x 50 mA for the outputs))
Typical current consumption	< 200 mA (24 V DC)
Typical current consumption	< 90 mA (stand by)

General

Electrical isolation	VCC // UMTS // Ethernet // PE
Test voltage data interface/data interface	1 kV (50 Hz, 1 min.)

Router - PSI-MODEM-3G/ROUTER - 2314008

Technical data

General

Test voltage data interface/power supply	1 kV (50 Hz, 1 min.)
Electromagnetic compatibility	Conformance with R&TTE directive 1999/5/EC
Net weight	226 g
Housing material	PA 6.6-FR
Color	green
Conformance	CE-compliant
UL, USA / Canada	cULus listed UL 508

Radio interface

Interface description	GSM / GPRS / EDGE
Frequency	850 MHz (2 W (EGSM))
Frequency	900 MHz (2 W (EGSM))
Frequency	1800 MHz (1 W (EGSM))
Frequency	1900 MHz (1 W (EGSM))
Frequency	850 MHz (0.25 W (UMTS))
Frequency	1900 MHz (0.25 W (UMTS))
Frequency	2100 MHz (0.25 W (UMTS))
Transmission power	0.25 W
Data rate	≤ 7.2 Mbps (HSDPA)
Data rate	≤ 5.7 Mbps (HSUPA)
Antenna	50 Ω impedance SMA antenna socket
SIM interface 1	1.8 volt, 3 volt
SIM interface 2	1.8 volt, 3 volt
GPRS	Class 12, Class B
GPRS	CS1 ... CS4
EDGE	Multislot Class 10
UMTS	HSPA 3GPP R6
Network function	4 time slots for receiving data, 4 time slots for transmitting data. The PIN is saved in the modem. After a voltage interruption, there is automatic redialing into the network. Integrated TCP/IP stack, firewall and VPN support, independent connection establishment.
Network check	LED bar graph to display receive quality

classifications

eCl@ss

eCl@ss 4.0	27230207
eCl@ss 4.1	27230207
eCl@ss 5.0	27230207
eCl@ss 5.1	27230207
eCl@ss 6.0	27230207
eCl@ss 7.0	27230207
eCl@ss 8.0	27230207

Router - PSI-MODEM-3G/ROUTER - 2314008

classifications

ETIM

ETIM 3.0	EC000310
ETIM 4.0	EC000740
ETIM 5.0	EC000740

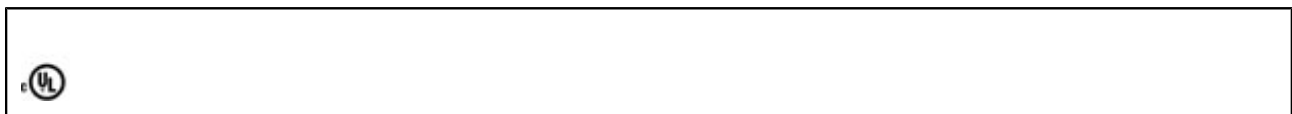
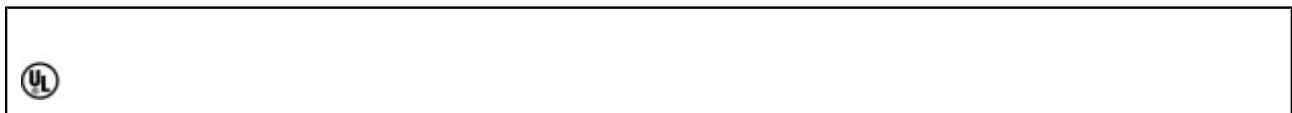
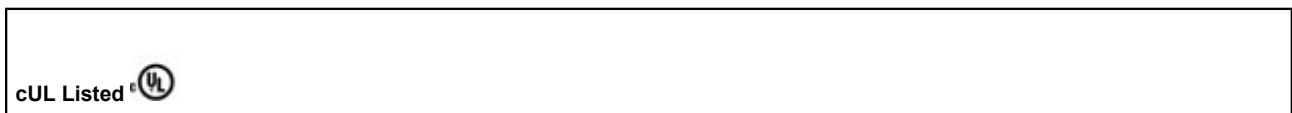
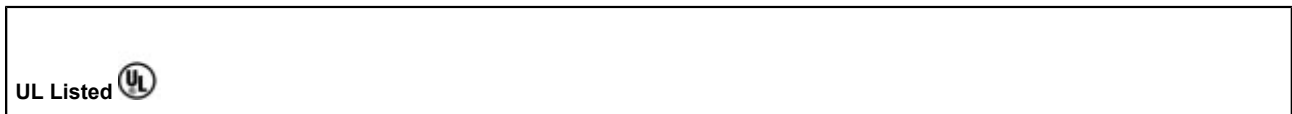
UNSPSC

UNSPSC 6.01	30211506
UNSPSC 7.0901	39121008
UNSPSC 11	39121008
UNSPSC 12.01	39121008
UNSPSC 13.2	39121008

approvals

UL Listed / cUL Listed / UL Listed / cUL Listed / cULus Listed /

Approval details



accessories

Antenna

Router - PSI-MODEM-3G/ROUTER - 2314008

accessories

PSI-GSM/UMTS-QB-ANT - 2313371



PSI-GSM/UMTS-ANT-OMNI-2-5 - 2900982



Coaxial cable

PSI-CAB-GSM/UMTS- 5M - 2900980



PSI-CAB-GSM/UMTS-10M - 2900981



Surge protection for transceiver systems

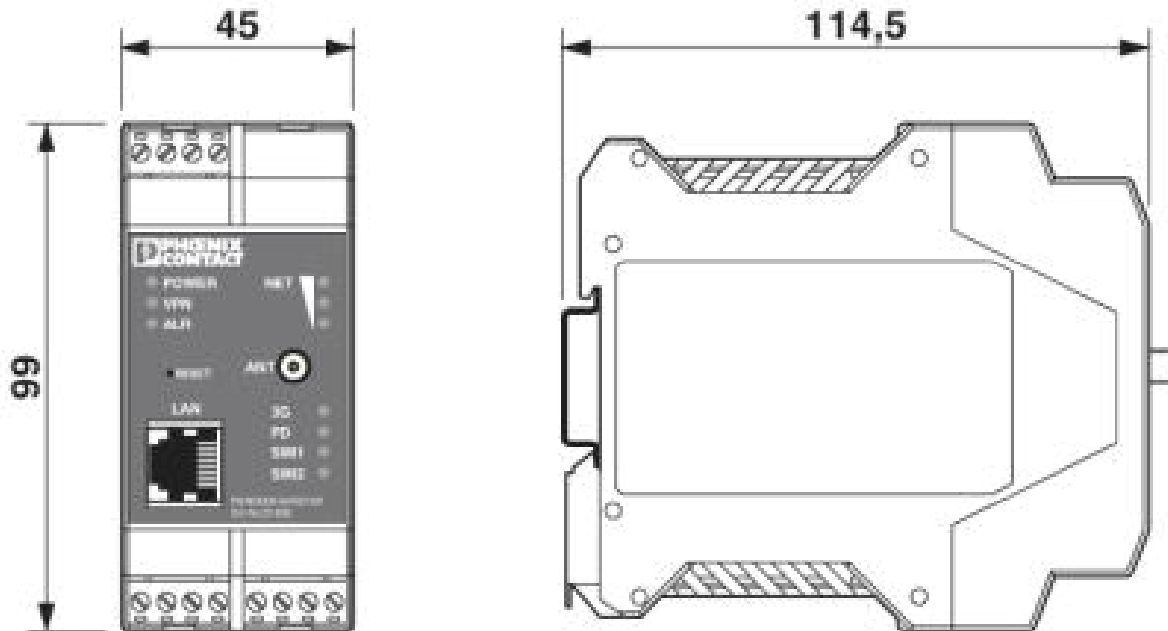
CSMA-LAMBDA/4-2.0-BS-SET - 2800491



Drawings

Router - PSI-MODEM-3G/ROUTER - 2314008

Dimensioned drawing



© Phoenix Contact 2014 - all rights reserved
<http://www.phoenixcontact.com>