

Pre-insulated Terminals

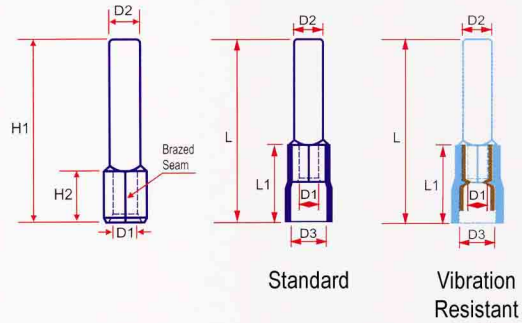
Blade Terminals

Material: Copper
Insulation: Polyvinyl Chloride
 UL approval E100455
 CSA approval 093995
 RoHS compliant

Max. elec. rating: ■ 19 amp
 ■ 27 amp
 ■ 48 amp
 600 volts 75°C



Wire Range mm ² (AWG)	Part No.	Dimensions mm						
		D1	D3	L	L1	D2	H1	H2
0.5-1.5 (22 - 16)	10RB	1.8	4.3	20.0	10.0	2.3	15.5	5.5
	18RB	1.8	4.3	28.0	10.0	2.5	23.5	5.5
1.5-2.5 (16 - 14)	9BB	2.3	4.8	20.0	10.0	2.3	15.5	5.5
	18BB	2.3	4.8	28.0	10.0	2.5	23.5	5.5
4-6 (16 - 14)	10YB	3.5	6.5	23.5	13.5	3.0	16.7	6.5
	16YB	3.5	6.5	29.5	13.5	4.8	22.5	6.5
	18YB	3.5	6.5	31.5	13.5	2.1	24.5	6.5

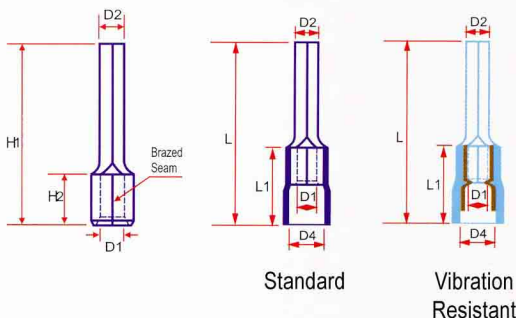


Pack Quantity: 100

Pin Terminals

Material: Copper
Insulation: Polyvinyl Chloride
 UL approval E100455
 CSA approval 093995
 RoHS compliant

Max. elec. rating: ■ 19 amp
 ■ 27 amp
 ■ 48 amp
 600 volts 75°C



Wire Range mm ² (AWG)	Part No.	Dimensions mm						
		D1	D4	L	L1	D2	H1	H2
0.5-1.5 (22 - 16)	95RP	1.8	4.3	19.0	10.0	1.9	14.6	5.5
	12RP	1.8	4.3	22.0	10.0	1.9	17.6	5.5
1.5-2.5 (16 - 14)	95BP	2.3	4.7	19.0	10.0	1.9	14.6	5.5
	12BP	2.3	4.7	22.0	10.0	1.9	17.6	5.5
4-6 (16 - 14)	14YP	3.5	6.6	28.0	13.5	2.7	21.0	6.5

Pack Quantity: 100