



Load break switch with fully visualised breaking from 125 to 5 000 A

➤ Function

SIRCO switches are manually operated or motorised multipolar load break switches. They make and break under load conditions and provide safety isolation for any low voltage circuit.

➤ General characteristics

- Fully visualised breaking.
- High thermal and dynamic withstand.
- Severe utilisation categories (AC-22 and AC-23).
- Good electrical and mechanical endurance.
- High resistance to humidity (supplied "tropicalised").

➤ Available on request

- Early break auxiliaries.
- SIRCO 9 and 12 poles up to 1600 A.
- 3 pole + neutral.
- Early break advanced neutral for networks charged with harmonics.
- Conducting neutral.
- Neutral earthing stud.

➤ Conformity to standards

- IEC 60947-3
- EN 60947-3
- VDE 0660-107 (1992)
- NBN EN 60947-3
- BS EN 60947-3
- Standards UL: see SIRCO UL

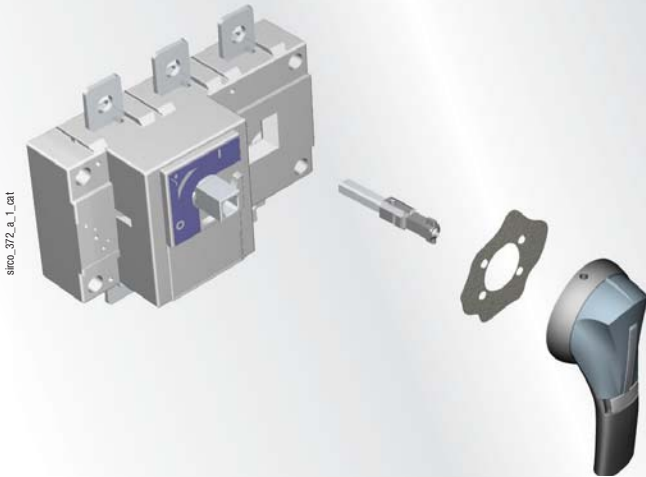
➤ Approvals and certifications⁽¹⁾

- CEPEC (Belgium)
- FI (Finland)
- ASEFA
- KEMA
- CCA
- GOST (Russia)
- BBJ Poland (Attestation of verification)
- PSA E03.15.605.G
- RENAULT EB03.15.613
- RINA (Registre Naval Italien)

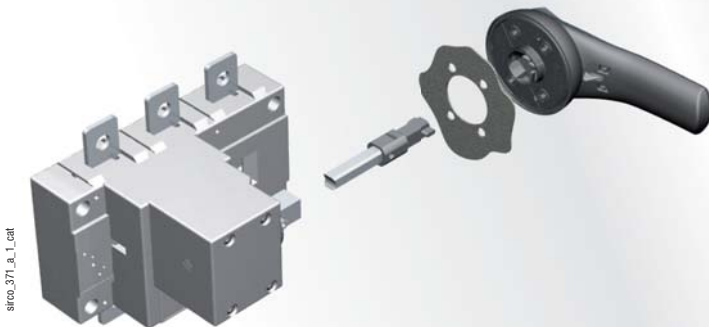
⁽¹⁾ Product reference on request.

➔ **What you need to know**

- In front **direct** or **external** operation, SIRCO is available in 3 and 4-pole versions from 125 to 5000 A. Can be ordered in 6 or 8 pole from 125 to 1600 A. The switch can be enclosed in a polyester or sheet metal enclosure from 125 to 1250 A.

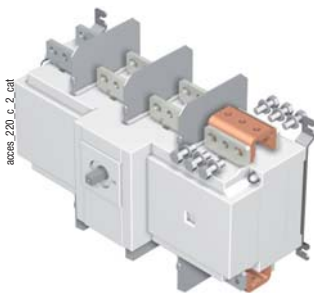


- **External right side** operation, SIRCO is available in 3 and 4-pole versions from 125 to 1800 A.

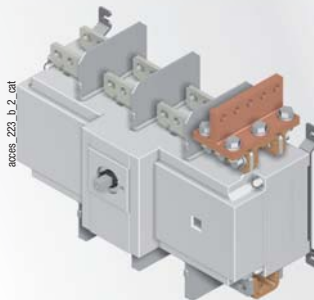


- For rating 2000, 2500 and 3200A, a **connection kit for copper bars** allows the connection between the 2 connection terminals of one pole.

Flat connection
Top or bottom



Edgewise connection
Top or bottom



➔ SIRCO - References



Front operation - 3 & 4 pole

Rating (A)	No. of poles	Switch body	Direct handle	External handle	Shaft for external handle	Auxiliary contacts	Terminal shrouds	Terminal screens
125 A	3 P	2600 3014 ⁽¹⁾	Black 2699 5042 ⁽²⁾ Red 2699 5043				3 P 2694 3014 4 P 2694 4014	3 P 2698 3012 ⁽³⁾ 4 P 2698 4012 ⁽³⁾
	4 P	2600 4014 ⁽¹⁾						
160 A	3 P	2600 3017 ⁽¹⁾					3 P 2694 3021 4 P 2694 4021	3 P 2698 3020 ⁽³⁾ 4 P 2698 4020 ⁽³⁾
	4 P	2600 4017 ⁽¹⁾						
200 A	3 P	2600 3021					3 P 2694 3021 4 P 2694 4021	3 P 2698 3020 ⁽³⁾ 4 P 2698 4020 ⁽³⁾
	4 P	2600 4021						
250 A	3 P	2600 3026 ⁽¹⁾		Type S2 Black IP55 1421 2111 ⁽²⁾ Black IP65 1423 2111 Red IP65 1424 2111	200 mm 1400 1020 320 mm		3 P 2694 3051 ⁽³⁾ 4 P 2694 4051 ⁽³⁾	3 P 2698 3050 ⁽³⁾ 4 P 2698 4050 ⁽³⁾
	4 P	2600 4026 ⁽¹⁾						
315 A	3 P	2600 3032	Black 2699 5052 ⁽²⁾ Red 2699 5053		200 mm 1400 1032 ⁽²⁾ 500 mm 1400 1050		3 P 2694 3051 ⁽³⁾ 4 P 2694 4051 ⁽³⁾	3 P 2698 3050 ⁽³⁾ 4 P 2698 4050 ⁽³⁾
	4 P	2600 4032						
400 A	3 P	2600 3041 ⁽¹⁾					3 P 2694 3051 ⁽³⁾ 4 P 2694 4051 ⁽³⁾	3 P 2698 3050 ⁽³⁾ 4 P 2698 4050 ⁽³⁾
	4 P	2600 4041 ⁽¹⁾						
500 A	3 P	2600 3051 ⁽¹⁾					3 P 2694 3051 ⁽³⁾ 4 P 2694 4051 ⁽³⁾	3 P 2698 3050 ⁽³⁾ 4 P 2698 4050 ⁽³⁾
	4 P	2600 4051 ⁽¹⁾						
630 A	3 P	2600 3064 ⁽¹⁾					3 P 2694 3051 ⁽³⁾ 4 P 2694 4051 ⁽³⁾	3 P 2698 3050 ⁽³⁾ 4 P 2698 4050 ⁽³⁾
	4 P	2600 4064 ⁽¹⁾						
800 A	3 P	2600 3081 ⁽¹⁾				1 st contact NO/NC 2699 0031 2 nd contact NO/NC 2699 0032	3 P 2698 3080 ⁽³⁾ 4 P 2698 4080 ⁽³⁾	
	4 P	2600 4081 ⁽¹⁾						
1 000 A	3 P	2600 3099 ⁽¹⁾					3 P 2698 3080 ⁽³⁾ 4 P 2698 4080 ⁽³⁾	
	4 P	2600 4099 ⁽¹⁾						
CD 1 250 A	3 P	2600 3119		Type S4 Black IP65 1443 3111 ⁽²⁾ Red/Yellow IP65 1444 3111	200 mm 1401 1520 320 mm		3 P 2698 3120 ⁽³⁾ 4 P 2698 4120 ⁽³⁾	
	4 P	2600 4119						
1 250 A	3 P	2600 3121 ⁽¹⁾	Black 2799 7012 ⁽²⁾ Red 2799 7013		200 mm 1401 1532 ⁽²⁾ 400 mm 1401 1540		3 P 2698 3120 ⁽³⁾ 4 P 2698 4120 ⁽³⁾	
	4 P	2600 4121 ⁽¹⁾						
1 600 A	3 P	2600 3161					3 P 2698 3120 ⁽³⁾ 4 P 2698 4120 ⁽³⁾	
	4 P	2600 4161						
1 800 A	3 P	2600 3181					3 P 2698 3120 ⁽³⁾ 4 P 2698 4120 ⁽³⁾	
	4 P	2600 4181						
2 000 A	3 P	2600 3200					3 P 2698 3120 ⁽³⁾ 4 P 2698 4120 ⁽³⁾	
	4 P	2600 4200						
2 500 A	3 P	2600 3250		Black IP65 2799 7136 ⁽²⁾ Red IP65 2799 7134	200 mm 2799 3015 320 mm 2799 3018 ⁽²⁾		3 P 2698 3120 ⁽³⁾ 4 P 2698 4120 ⁽³⁾	
	4 P	2600 4250						
3 200 A	3 P	2600 3320					3 P 2698 3120 ⁽³⁾ 4 P 2698 4120 ⁽³⁾	
	4 P	2600 4320						
4 000 A	3 P	2600 3401	Black 2799 7072 ⁽²⁾	Black IP65 2799 7155 ⁽²⁾		1 st /2 nd contact NO/NC included	consult us	
	4 P	2600 4401						
5 000 A	3 P	2600 3500					consult us	
	4 P	2600 4500						

(1) Available enclosed (see page 493 "Enclosed load break switches").

(2) Standard.

(3) Top/bottom.



Front operation - 6 & 8 pole

Rating (A)	No. of poles	Switch body	Direct handle	External handle	Shaft for external handle	Auxiliary contacts	Terminal shrouds	Terminal screens		
125 A	6 P	2601 6013	Black 4199 5012 ⁽¹⁾	Type S2 Black IP55 1421 2111 ⁽¹⁾ Red IP65 1424 2111	200 mm 1400 1020 320 mm 1400 1032 ⁽¹⁾	1 st contact NO/NC 2699 0061 2 nd contact NO/NC 2699 0062	6 P	6 P		
	8 P	2601 8013					2694 3014 ⁽²⁾⁽³⁾	1509 3012 ⁽⁴⁾		
160 A	6 P	2601 6016					Type S4 Black IP65 1443 3111 ⁽¹⁾ Red/Yellow IP65 1444 3111	200 mm 1401 1520 320 mm 1401 1532 ⁽¹⁾	8 P	8 P
	8 P	2601 8016							2694 4014 ⁽²⁾⁽³⁾	1509 4012 ⁽⁴⁾
250 A	6 P	2601 6025	Black 2799 7052 ⁽¹⁾ Red 2799 7053	2694 3021 ⁽²⁾⁽³⁾	2694 4021 ⁽²⁾⁽³⁾		1509 3025 ⁽⁴⁾	1509 4025 ⁽⁴⁾		
	8 P	2601 8025								
400 A	6 P	2601 6040	Black 2799 7012 ⁽¹⁾ Red 2799 7013	Black IP65 2799 7145	320 mm 2799 3018		2694 3051 ⁽²⁾⁽³⁾	1509 3063 ⁽⁴⁾		
	8 P	2601 8040							2694 4051 ⁽²⁾⁽³⁾	1509 4063 ⁽⁴⁾
630 A	6 P	2601 6063	Black 2799 7012 ⁽¹⁾ Red 2799 7013	Black IP65 2799 7145	320 mm 2799 3018		2694 4051 ⁽²⁾⁽³⁾	1509 4063 ⁽⁴⁾		
	8 P	2601 8063								
800 A	6 P	2601 6080	Black 2799 7012 ⁽¹⁾ Red 2799 7013	Black IP65 2799 7145	320 mm 2799 3018	2694 4051 ⁽²⁾⁽³⁾	1509 4063 ⁽⁴⁾			
	8 P	2601 8080								
1 000 A	6 P	2601 6100	Black 2799 7012 ⁽¹⁾ Red 2799 7013	Black IP65 2799 7145	320 mm 2799 3018	2694 4051 ⁽²⁾⁽³⁾	1509 4063 ⁽⁴⁾			
	8 P	2601 8100								
1 250 A	6 P	2601 6120	Black 2799 7012 ⁽¹⁾ Red 2799 7013	Black IP65 2799 7145	320 mm 2799 3018	2694 4051 ⁽²⁾⁽³⁾	1509 4063 ⁽⁴⁾			
	8 P	2601 8120								
1 600 A	6 P	2601 6160	Black 2799 7012 ⁽¹⁾ Red 2799 7013	Black IP65 2799 7145	320 mm 2799 3018	2694 4051 ⁽²⁾⁽³⁾	1509 4063 ⁽⁴⁾			
	8 P	2601 8160								

(1) Standard.

(2) Top/bottom.

(3) Select 2 sets for front or rear.

(4) 2 pieces: one for top side and another for bottom side.

(5) Top or bottom.



External right side operation

Rating (A)	No. of poles	Switch body	External handle	Shaft for external handle	Auxiliary contacts	Terminal shrouds	Terminal screens
125 A	3 P	2605 3014	Type S2 Black IP55 1425 2111 ⁽¹⁾ Black IP65 1427 2111 Red/Yellow IP65 1428 2111	200 mm 1400 1020 250 mm 1400 1025 320 mm 1400 1032 ⁽¹⁾	1 st contact NO/NC 2699 0031 2 nd contact NO/NC 2699 0032	3 P	3 P
	4 P	2605 4014				2694 3014 ⁽²⁾	2698 3012 ⁽²⁾
160 A	3 P	2605 3017				2694 4014 ⁽²⁾	2698 4012 ⁽²⁾
	4 P	2605 4017					
200 A	3 P	2605 3021				2694 3021 ⁽²⁾	2698 3020 ⁽²⁾
	4 P	2605 4021					
250 A	3 P	2605 3026				2694 4021 ⁽²⁾	2698 4020 ⁽²⁾
	4 P	2605 4026					
315 A	3 P	2605 3032				2694 4051 ⁽²⁾	2698 4050 ⁽²⁾
	4 P	2605 4032					
400 A	3 P	2605 3041				2694 3051 ⁽²⁾	2698 3050 ⁽²⁾
	4 P	2605 4041					
500 A	3 P	2605 3051				2694 4051 ⁽²⁾	2698 4050 ⁽²⁾
	4 P	2605 4051					
630 A	3 P	2605 3064				2694 4051 ⁽²⁾	2698 4050 ⁽²⁾
	4 P	2605 4064					
800 A	3 P	2605 3081	2694 4051 ⁽²⁾	2698 4050 ⁽²⁾			
	4 P	2605 4081					
CD 1 250 A	3 P	2605 3119	2694 4051 ⁽²⁾	2698 4080 ⁽²⁾			
	4 P	2605 4119					
1 800 A	3 P	2605 3181	2694 4051 ⁽²⁾	2698 3120 ⁽²⁾			
	4 P	2605 4181			2698 4120 ⁽²⁾		

(1) Standard.
(2) Top/bottom.

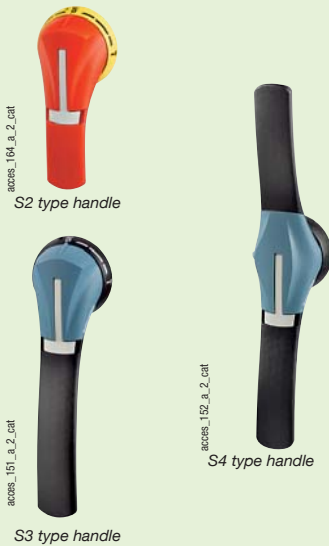
➤ Accessories

Direct operation handle



Rating (A)	No. of poles	Handle colour	Reference
125 ... 160	3/4 P	Black	2699 5042
125 ... 160	6/8 P	Black	4199 5012
125 ... 160	3/4 P	Red	2699 5043
200 ... 630	3/4 P	Black	2699 5052
200 ... 630	3/4 P	Red	2699 5053
250 ... 630	6/8 P	Black	2799 7052
250 ... 630	6/8 P	Red	2799 7053
800 ... 3 200	3/4 P	Black	2799 7012
800 ... 3 200	3/4 P	Red	2799 7013
800 ... 1 600	6/8 P	Black	2799 7012
800 ... 1 600	6/8 P	Red	2799 7013
4 000 ... 5 000	3/4 P	Black	2799 7072

External operation handle



Front operation

Rating (A)	No. of poles	Handle	Handle colour	External IP ⁽¹⁾	Reference
125 ... 630	3/4 P	S2 type	Black	IP55	1421 2111
125 ... 630	3/4 P	S2 type	Black	IP65	1423 2111
125 ... 630	3/4 P	S2 type	Red/Yellow	IP65	1424 2111
125 ... 160	6/8 P	S2 type	Black	IP55	1421 2111
125 ... 160	6/8 P	S2 type	Black	IP65	1423 2111
125 ... 160	6/8 P	S2 type	Red/Yellow	IP65	1424 2111
250 ... 630	6/8 P	S4 type	Black	IP65	1443 3111
250 ... 630	6/8 P	S4 type	Red/Yellow	IP65	1434 3111
800 ... 1600	6/8 P		Black	IP65	2799 7145
800 ... 1 800	3/4 P	S4 type	Black	IP65	1443 3111
800 ... 1 800	3/4 P	S4 type	Red/Yellow	IP65	1444 3111
2 000 ... 3200	3/4 P		Black	IP65	2799 7136 ⁽²⁾
2 000 ... 3 200	3/4 P		Red	IP65	2799 7134
4 000 ... 5 000	3/4 P		Black	IP65	2799 7155 ⁽²⁾

(1) IP: Degree of protection according to standard IEC 60529.
 (2) Standard.

External right side operation

Rating (A)	No. of poles	Handle	Handle colour	External IP ⁽¹⁾	Reference
125 ... 630	3/4 P	S2 type	Black	IP55	1425 2111 ⁽²⁾
125 ... 630	3/4 P	S2 type	Black	IP65	1427 2111
125 ... 630	3/4 P	S2 type	Red/Yellow	IP65	1428 2111
800 ... 1 800	3/4 P	S3 type	Black	IP65	1437 3111 ⁽²⁾
800 ... 1 800	3/4 P	S3 type	Red/Yellow	IP65	1438 3111

(1) IP: Degree of protection according to standard IEC 60529.
 (2) Standard.

Use

The door interlocked external operation handle includes one padlockable handle, one escutcheon and must be utilised with an extension shaft.

Alternative S type handle cover colors



Use

For single lever handles type S1, S2, S3 and double lever handle, type S4.
 Other colours: consult us.

Handle colour	To be ordered in multiples of	Handle	Reference
Light grey	50	Type S1, S2	1401 0001
Dark grey	50	Type S1, S2	1401 0011
Light grey	50	S4 type	1401 0031
Dark grey	50	S4 type	1401 0041

S type handle adapter



Use

Enables S type handles to be fitted in place of existing older style Socomec handles. Adapter can also be utilised as a spacer to increase the distance between the panel door and the handle lever.

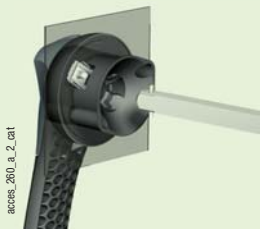
Dimensions

Adds 12 mm to the depth.

Handle colour	To be ordered in multiples of	External IP ⁽¹⁾	Reference
Black	10	IP65	1493 0000

(1) IP: Degree of protection according to standard IEC 60529.

Shaft guide for external operation

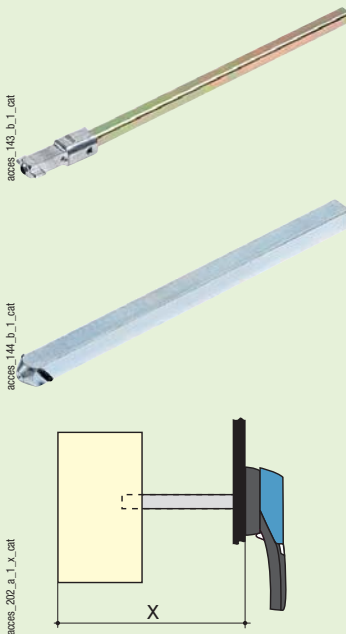


Use

To guide the shaft extension into the external handle. This accessory enables handle to engage extension shaft with a misalignment of up to 15 mm. Required for a shaft length over 320 mm.

Description	Reference
Shaft guide	1429 0000

Shaft for external handle



For 3/4 pole

Rating (A)	Dimension X (mm)	Shaft length (mm)	Reference
125 ... 160	125 ... 250	200 mm	1400 1020
125 ... 160	125 ... 300	250 mm	1400 1025
125 ... 160	125 ... 370	320 mm	1400 1032
125 ... 160	125 ... 550	500 mm	1400 1050
125 ... 160	125 ... 850	750 mm	1400 1075
200 ... 250	135 ... 265	200 mm	1400 1020
200 ... 250	135 ... 315	250 mm	1400 1025
200 ... 250	135 ... 385	320 mm	1400 1032
200 ... 250	135 ... 565	500 mm	1400 1050
200 ... 250	135 ... 880	750 mm	1400 1075
315... 630	165 ... 295	200 mm	1400 1020
315... 630	165 ... 345	250 mm	1400 1025
315... 630	165 ... 415	320 mm	1400 1032
315... 630	165 ... 595	500 mm	1400 1050
315... 630	165 ... 940	750 mm	1400 1075
800 ... 1800	221 ... 343	200 mm	1401 1520
800 ... 1 800	221 ... 463	320 mm	1401 1532
800 ... 1 800	221 ... 543	400 mm	1401 1540
2000 ... 3 200	415 ... 570	200 mm	2799 3015
2000 ... 3 200	415 ... 690	320 mm	2799 3018
2000 ... 3 200	415 ... 820	450 mm	2799 3019
4 000 ... 5 000	550 ... 680	200 mm	2799 3015
4 000 ... 5 000	651 ... 921	320 mm	2799 3018

For 6/8 pole

Rating (A)	Dimension X (mm)	Shaft length (mm)	Reference
125 ... 160	270 ... 436	200 mm	1400 1020
125 ... 160	270 ... 556	320 mm	1400 1032
250 ... 630	221 ... 308	200 mm	1401 1520
250 ... 630	221 ... 428	320 mm	1401 1532
250 ... 630	221 ... 508	400 mm	1401 1540
800 ... 1600	651 ... 921	320 mm	2799 3018

Use

Standard lengths:

- 200 mm
- 250 mm
- 300 mm
- 400 mm
- 500 mm
- 750 mm

Other lengths: consult us.

Door mounting kit

Use
Kit enables door mounting for the SIRCO.

For 3/4 pole direct front operation

Rating (A)	No. of poles	Reference
125 ... 160	3 P	2699 3312
125 ... 160	4 P	2699 4312
200 ... 250	3 P	2699 3420
200 ... 250	4 P	2699 4420

Auxiliary contacts



Use
Pre-break and signalling of positions 0 and I:
- 1 to 2 NO/NC auxiliary contacts,
- 1 to 4 NO + NC auxiliary contacts,
- 1 to 2 low level NO/NC auxiliary contacts..

Characteristics
NO/NC AC: IP2 with front and side operation.

Connection to the control circuit
By 6.35 mm fast-on terminal.

Electrical characteristics
30 000 operations.

Characteristics

Rating (A)	Contact type	Current nominal (A)	Operating current I _o (A)									
			230 VAC		400 VAC		24 VDC		48 VDC			
			AC-12	AC-13/15	AC-12	AC-13/15	DC-12	DC-13	DC-14	DC-12	DC-13	DC-14
125 ... 4 000	NO/NC	16	16	4	12	3	2.5	2.5	1	2.5	1.2	0.2
125 ... 3 200	NO + NC	16	16	4	16	3	16	5	1	2.5	1.2	0.2

References

NO/NC contact for 3/4 pole

Rating (A)	Position AC	Reference
125 ... 3 200	1 st	2699 0031
125 ... 3 200	2 nd	2699 0032
4 000 ... 5 000	1 st /2 nd	included

NO/NC contact for 6/8 pole

Rating (A)	Position AC	Reference
125 ... 1600	1 st	2699 0061
125 ... 1600	2 nd	2699 0062

NO+NC contact for 3/4 pole

Rating (A)	Position AC	Reference
125 ... 3 200	1 st	2699 0141
125 ... 3 200	2 nd	2699 0142

Low level NO/NC contact for 3/4 pole

Rating (A)	Position AC	Reference
100 ... 3 200	1 st	2699 0301
100 ... 3 200	2 nd	2699 0302

Terminal shrouds

Use
Top or bottom protection against direct contact with terminals or connection parts.

Advantage
Perforations allowing remote thermographic inspection without removal.
The terminal shrouds also provide phase separation for SIRCOs from 125 to 630 A.

For 3/4 pole ⁽¹⁾

Rating (A)	No. of poles	Position	Reference
125 ... 160	3 P	top or bottom	2694 3014⁽²⁾
125 ... 160	4 P	top or bottom	2694 4014⁽³⁾
200 ... 250	3 P	top or bottom	2694 3021⁽²⁾
200 ... 250	4 P	top or bottom	2694 4021⁽³⁾
315 ... 630	3 P	top or bottom	2694 3051⁽²⁾
315 ... 630	4 P	top or bottom	2694 4051⁽³⁾

(1) 2 sets required to shroud top and bottom terminals on 3/4 pole switch.

(2) Reference composed of 3 pieces.

(3) Reference composed of 4 pieces.

For 6/8 pole ⁽¹⁾

Rating (A)	No. of poles	Position	Reference
125 ... 160	6 P	top / bottom	2694 3014
125 ... 160	8 P	top / bottom	2694 4014
250	6 P	top / bottom	2694 3021
250	8 P	top / bottom	2694 4021
400 ... 630	6 P	top / bottom	2694 3051
400 ... 630	8 P	top / bottom	2694 4051

(1) 4 sets required to shroud top and bottom terminals on 6/8 pole switch.



Shrouded distribution block



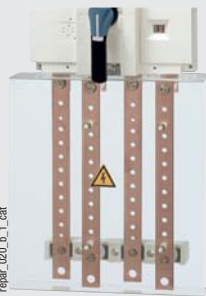
repar_027_a_2_cat

Use

Easy connection of several cables, can be clipped onto a symmetric DIN rail.

Rating (A)	No. of poles	No. of connections by section (mm ²)	Reference
125	3/4 P	2x25 + 7x10	5420 4108
125	3/4 P	2x25 + 2x16 + 9x10	5420 4112
160	3/4 P	13x25 + 8x16 + x10	5420 4016

Bottom distribution kit



repar_020_b_1_cat

Use

Easy connection of several cables, downstream mounting of the SIRCO.

Rating (A)	No. of poles	No. of connections by section (mm ²)	Reference
125 ... 160	3 P	1 x 95 + 8 x 25	5411 3016
125 ... 160	4 P	1 x 95 + 8 x 25	5411 4016
200 ... 250	3 P	1 x 150 + 8 x 50	5411 3025
200 ... 250	4 P	1 x 150 + 8 x 50	5411 4025
315 ... 400	3 P	1 x 240 + 8 x 95	5411 3040
315 ... 400	4 P	1 x 240 + 8 x 95	5411 4040
500 ... 630	3 P	1 x 300 + 8 x 150	5411 3063
500 ... 630	4 P	1 x 300 + 8 x 150	5411 4063

Terminal screens

Use

Top or bottom protection against direct contact with terminals or connection parts.



access_079_a_1_cat

For 3/4 pole

Rating (A)	No. of poles	Position	Reference
125 ... 160	3 P	top / bottom	2698 3012
125 ... 160	4 P	top / bottom	2698 4012
200 ... 250	3 P	top / bottom	2698 3020
200 ... 250	4 P	top / bottom	2698 4020
315 ... 630	3 P	top / bottom	2698 3050
315 ... 630	4 P	top / bottom	2698 4050
800 ... CD 1 250	3 P	top / bottom	2698 3080
800 ... CD 1 250	4 P	top / bottom	2698 4080
1 250 ... 1 800	3 P	top / bottom	2698 3120
1 250 ... 1 800	4 P	top / bottom	2698 4120
2 000 ... 3200	3 P	top / bottom	2698 3200
2 000 ... 3200	4 P	top / bottom	2698 4200
4 000 ... 5 000	3/4 P	top / bottom	consult us

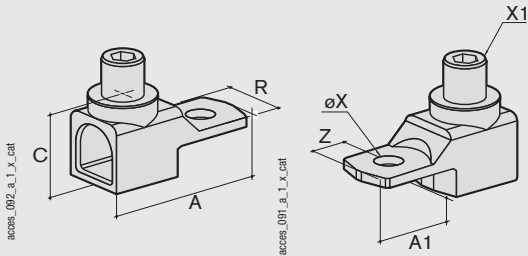
For 6/8 pole

Rating (A)	No. of poles	Position	Pack	Reference
125 ... 160	6 P	top / bottom	1	1509 3012
125 ... 160	8 P	top / bottom	1	1509 4012
250	6 P	top / bottom	1	1509 3025
250	8 P	top / bottom	1	1509 4025
400 ... 630	6 P	top / bottom	2	1509 3063
400 ... 630	8 P	top / bottom	2	1509 4063
800 ... 1 250	6 P	top / bottom	2	1509 3080
800 ... 1 250	8 P	top / bottom	2	1509 4080
1 600	6 P	top / bottom	2	1509 3160
1 600	8 P	top / bottom	2	1509 4160

Cage terminals

Use

Connection of bare copper cables onto the terminals (without lugs).



References

Rating (A)	No. of poles	Reference
125 ... 160	3 P	5400 3016
125 ... 160	4 P	5400 4016
200 ... 250	3 P	5400 3025
200 ... 250	4 P	5400 4025
315 ... 400	3 P	5400 3040
315 ... 400	4 P	5400 4040
500 ... 630	3 P	5400 3063
500 ... 630	4 P	5400 4063

Connections

Rating (A)	Section flexible cable (mm ²)	Section rigid cable (mm ²)	Width flexible bar (mm)	Stripped over (mm)
125 ... 160	16 ... 95	16 ... 95	13	22
200 ... 250	16 ... 185	16 ... 185	18	27
315 ... 400	50 ... 240	50 ... 300	20	34
500 ... 630	70 ... 300	70 ... 300	24	34

Dimensions

Rating (A)	A	A1	C	R	ØX	X1	Z
125 ... 160	47.5	22.5	25	20	8.5	M12	10
200 ... 250	62	31.5	31.5	25	10.5	M16	14
315 ... 400	71.5	32	38	32	10.5	M20	15
500 ... 630	76.5	37	38	40	12.5	M20	15

Copper bars connection kits

Fig. 1

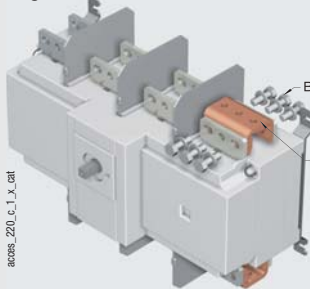
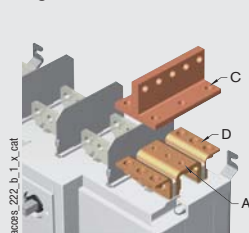


Fig.2



Use

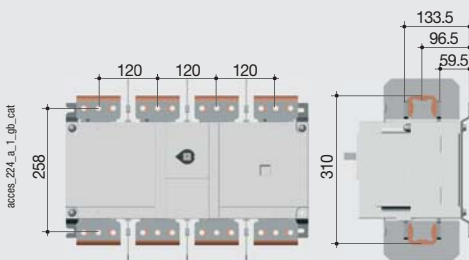
To allow connection between the two power terminals from a same pole for 2000 to 3200 A ratings (Fig. 1 and Fig 2).

For 3200 A rating, the connection piece (part A) are delivered bridged from factory.

Bolt sets must be ordered separately.

Technical notice for these specific accessories is downloadable from www.socomec.com.

Fig. 1

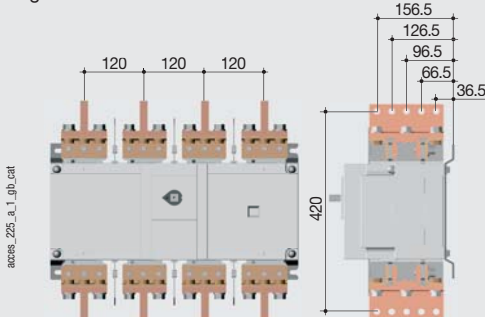


Top or bottom flat connection - Fig. 1

Rating (A)	Piece	Quantity to order per pole ⁽¹⁾	Reference
2 000 ... 2 500	Connection - part A	1	2619 1200
2 000 ... 2 500	Bolt set - part B	1	2699 1200
3 200	Connection - part A		included
3 200	Bolt set - part B	1	2699 1200

(1) Example for 3 pole device equipped upstream only; order 3 times the indicated quantities.

Fig.2



Top or bottom edgewise connection - Fig. 2

Rating (A)	Piece	Quantity to order per pole ⁽¹⁾	Reference
2 000 ... 2 500	Connection - part A	1	2619 1200
2 000 ... 2 500	T piece - part C	1	2629 1200 ⁽²⁾
2 000 ... 2 500	Right angle - part D	1	2639 1200 ⁽²⁾
3 200	Connection - part A		included
3 200	T piece - part C	1	2629 1200
3 200	Right angle - part D	1	2639 1200

(1) Example for 3 pole device equipped upstream only; order 3 times the indicated quantities.

(2) Bolt set is provided with the accessories.

Inter phase barrier



access_036_a_1_x_cat

Use

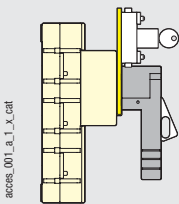
Safety isolation between the terminals, essential for use at 690 VAC or in a polluted or dusty atmosphere.

The terminal shrouds also provide phase separation for SIRCOs from 125 to 630 A.

Rating (A)	No. of poles	Reference
125 ... 160	3 P	2998 0033
125 ... 160	4 P	2998 0034
200 ... 250	3 P	2998 0023
200 ... 250	4 P	2998 0024
315 ... 630	3 P	2998 0013
315 ... 630	4 P	2998 0014
800 ... 3 200	3/4 P	included
4 000 ... 5 000	3/4 P	included

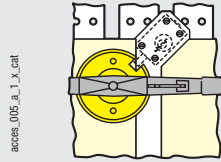
Handle key interlocking accessories

Fig. 1



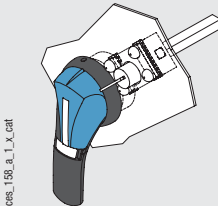
access_001_a_1_x_cat

Fig.2



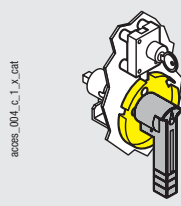
access_005_a_1_x_cat

Fig. 3



access_198_a_1_x_cat

Fig. 5



access_004_c_1_x_cat

Use

Locking in position 0 of the front or side operation handle:

- using a lock (not supplied) and the factory integrated padlocking function of the handle. From 125 to 1800 A, the padlock on the external front operation handle also locks the door,
- using padlock (not supplied): see diagrams opposite,
- using undervoltage coil: the SIRCO can only be closed if the coil is live.

For 6/8 pole: consult us.

Locking using RONIS EL11AP lock (not supplied)

Rating (A)	No. of poles	Operation	Figure	Reference
125 ... 630	3/4 P	front direct	1	2699 6008 ⁽¹⁾
125 ... 1 800	3/4 P	external front	3	1499 7701
800 ... 3200	3/4 P	front direct	2	2699 6027
4 000 ... 5 000	3/4 P	external front	4	2799 7002

(1) Front operation handle included.

Locking using CASTELL lock (not supplied)

Rating (A)	No. of poles	Operation	Lock type	Figure	Reference
125 ... 160	6/8 P	external front	K	2	4109 8507
125 ... 1 800	3/4 P	external front	FS	3	1499 7703
125 ... 1 800	3/4 P	external front	K	3	1499 7702
250 ... 630	6/8 P	external front	K	2	2999 8707
800 ... 1600	6/8 P	external front	K	2	2799 7003
2000 ... 4000	3/4 P	external front	K	2	2799 7003

Locking using 230 VAC undervoltage coil

(other voltages: please consult us)

Rating (A)	No. of poles	Operation	Reference
125 ... 630	3/4 P	external front	2699 9063 ⁽¹⁾
800 ... 3 200	3/4 P	front direct	2699 9315 ⁽¹⁾

(1) The locking system is directly mounted on the device.

Other specific accessories



bu03_04_01

- Mechanical coupling device for making switches with "n" poles of the same or different ratings.
- Mechanical interlocking device.

➔ Characteristics according to IEC 60947-3

125 to 800 A

Thermal current I_{th} (40°C)	125 A	160 A	200 A	250 A	315 A	400 A	500 A	630 A	800 A
Rated insulation voltage U_i (V)	800	800	800	800	1 000	1 000	1 000	1 000	1 000
Rated impulse withstand voltage U_{imp} (kV)	8	8	8	8	12	12	12	12	12

Rated operational currents I_e (A)										
Rated voltage	Load duty category	A/B ⁽¹⁾	A/B ⁽¹⁾	A/B ⁽¹⁾	A/B ⁽¹⁾	A/B ⁽¹⁾	A/B ⁽¹⁾	A/B ⁽¹⁾	A/B ⁽¹⁾	A/B ⁽¹⁾
400 VAC	AC-21 A / AC-21 B	125/125	160/160	200/200	250/250	315/315	400/400	500/500	630/630	800/800
400 VAC	AC-22 A / AC-22 B	125/125	160/160	200/200	250/250	315/315	400/400	500/500	630/630	800/800
400 VAC	AC-23 A / AC-23 B	125/125	160/160	200/200	250/250	315/315	400/400	500/500	630/630	800/800
500 VAC	AC-21 A / AC-21 B	125/125	160/160	200/200	250/250	315/315	400/400	500/500	630/630	800/800
500 VAC	AC-22 A / AC-22 B	125/125	125/125	200/200	250/250	315/315	400/400	400/400	500/500	800/800
500 VAC	AC-23 A / AC-23 B	100/100	100/100	160/200	200/250	315/315	315/315	315/315	315/315	630/800
690 VAC ⁽²⁾	AC-20 A / DC-20 B	125/125	160/160	200/200	250/250	315/315	400/400	500/500	630/630	800/800
690 VAC ⁽²⁾	AC-21 A / AC-21 B	125/125	160/160	160/200	200/250	315/315	400/400	400/400	500/500	800/800
690 VAC ⁽²⁾	AC-22 A / AC-22 B	125/125	125/125	125/160	125/160	250/315	250/315	250/315	315/315	800/800
690 VAC ⁽²⁾	AC-23 A / AC-23 B	63/80	63/80	80/100	100/125	160/200	160/200	160/200	160/200	200/250
220 VDC	DC-20 A / DC-20 B	125/125	160/160	200/200	250/250	315/315	400/400	500/500	630/630	800/800
220 VDC	DC-21 A / DC-21 B	125/125	160/160	160/200	250/250	315/315	400/400	500/500	630/630	800/800
220 VDC	DC-22 A / DC-22 B	125/125	160/160	160/200	250/250	315/315	400/400	400/500	500/500	800/800
220 VDC	DC-23 A / DC-23 B	125/125	125/125	160/160	200/200	315/315	400/400	400/400	500/500	800/800
440 VDC	DC-20 A / DC-20 B	125/125	160/160	200/200	250/250	315/315	400/400	500/500	630/630	800/800
440 VDC	DC-21 A / DC-21 B	125/125 ⁽³⁾	160/160 ⁽³⁾	160/200 ⁽³⁾	200/200 ⁽³⁾	315/315 ⁽³⁾	400/400 ⁽³⁾	400/500 ⁽³⁾	500/500 ⁽³⁾	800/800 ⁽⁴⁾
440 VDC	DC-22 A / DC-22 B	125/125 ⁽³⁾	125/125 ⁽³⁾	160/160 ⁽³⁾	200/200 ⁽³⁾	315/315 ⁽³⁾	400/400 ⁽³⁾	400/400 ⁽³⁾	500/500 ⁽³⁾	800/800 ⁽⁴⁾
440 VDC	DC-23 A / DC-23 B	125/125 ⁽⁴⁾	125/125 ⁽⁴⁾	160/160 ⁽⁴⁾	200/200 ⁽⁴⁾	315/315 ⁽⁴⁾	400/400 ⁽⁴⁾	400/400 ⁽⁴⁾	500/500 ⁽⁴⁾	800/800 ⁽⁴⁾
500 VDC	DC-20 A / DC-20 B	125/125	160/160	200/200	250/250	315/315	400/400	500/500	630/630	800/800
500 VDC	DC-21 A / DC-21 B	125/125 ⁽³⁾	125/125 ⁽³⁾	160/200 ⁽³⁾	200/200 ⁽³⁾	315/315 ⁽³⁾	400/400 ⁽³⁾	400/400 ⁽³⁾	500/500 ⁽³⁾	800/800 ⁽⁴⁾
500 VDC	DC-22 A / DC-22 B	125/125 ⁽⁴⁾	125/125 ⁽⁴⁾	160/160 ⁽⁴⁾	200/200 ⁽⁴⁾	315/315 ⁽⁴⁾	315/400 ⁽⁴⁾	315/400 ⁽⁴⁾	500/500 ⁽⁴⁾	800/800 ⁽⁴⁾
500 VDC	DC-23 A / DC-23 B	125/125 ⁽⁴⁾	125/125 ⁽⁴⁾	160/160 ⁽⁴⁾	200/200 ⁽⁴⁾	315/315 ⁽⁴⁾	315/400 ⁽⁴⁾	315/400 ⁽⁴⁾	500/500 ⁽⁴⁾	800/800 ⁽⁴⁾

Operational power in AC-23 (kW)										
At 400 VAC without pre-break in AC ⁽¹⁾⁽⁵⁾	63/63	80/80	100/100	132/132	160/160	220/220	280/280	280/280	450/450	
At 500 VAC without pre-break in AC ⁽¹⁾⁽⁵⁾	63/63	63/63	110/140	140/160	220/220	220/220	220/220	220/220	450/560	
At 690 VAC without pre-break in AC ⁽¹⁾⁽⁵⁾	55/75	55/75	75/90	90/110	150/185	150/185	150/185	150/185	185/220	

Reactive power (kvar)										
At 400 VAC (kvar) ⁽⁵⁾	55	75	90	115	145	185	230	290	365	

Fuse protected short-circuit withstand (kA rms prospective)										
Prospective short-circuit (kA rms) ⁽⁶⁾	100	100	80	50	100	100	100	70	50	
Associated fuse rating (A) ⁽⁶⁾	125	160	200	250	315	400	500	630	800	

Short-circuit capacity										
Rated short-time withstand current 0.3 s. I_{cw} (kA eff.)	15	15	17	17	25	25	25	25	50	
Rated peak withstand current (kA peak) ⁽⁶⁾	20	20	30	30	45	45	45	45	55	

Connection										
Min. connection wire range	35	50	70	95	150	185	240	2 x 150	2 x 185	
Minimum Cu busbar section (mm ²)								2 x 30 x 5	2 x 40 x 5	
Maximum Cu cable section (mm ²)	50	95	95	150	240	240	240	2 x 300	2 x 300	
Maximum Cu busbar width (mm)	25	25	32	32	40	40	40	50	63	
Tightening torque min (Nm)	9	9	20	20	20	20	20	20		

Mechanical characteristics										
Durability (number of operating cycles)	10 000	10 000	10 000	10 000	5 000	5 000	5 000	5 000	3 000	
Operating effort (Nm)	6.5	6.5	10	10	14.5	14.5	14.5	14.5	37	
Weight of a 3 pole device (kg)	1	1.5	2	2	3.5	3.5	3.5	3.5	8	
Weight of a 4 pole device (kg)	1.5	1.5	2	2	4	4	4.5	4.5	10	

(1) Category with index A = frequent operation - Category with index B = infrequent operation.
(2) With terminal shrouds or phase barrier.
(3) 3-pole device with 2 pole in series for the "+" and 1 pole for the "-".
(4) 4-pole device with 2 pole in series by polarity.
(5) The power value is given for information only, the current values vary from one manufacturer to another.
(6) For a rated operational voltage $U_n = 400$ VAC.

1000 to 5000 A

Thermal current I _{th} (40°C)	1000 A	CD 1250 A	1250 A	1600 A	1800 A	2000 A	2500 A	3200 A	4000 A	5000 A
Rated insulation voltage U _i (V)	1000	1000	1000	1000	1000	1000	1000	1000	1000	1000
Rated impulse withstand voltage U _{imp} (kV)	12	12	12	12	12	12	12	12	12	12

Rated operational currents I _e (A)											
Rated voltage	Load duty category	A/B ⁽¹⁾	A/B ⁽¹⁾	A/B ⁽¹⁾	A/B ⁽¹⁾	A/B ⁽¹⁾	A/B ⁽¹⁾	A/B ⁽¹⁾	A/B ⁽¹⁾	A/B ⁽¹⁾	A/B ⁽¹⁾
400 VAC	AC-21 A / AC-21 B	1000/1000	1250/1250	1250/1250	1600/1600	1 800/1 800	2 000/2 000	2500/2500	3 200/3 200	-/4000	-/5000
400 VAC	AC-22 A / AC-22 B	1000/1000	1250/1250	1250/1250	1600/1600	1 800/1 800	2 000/2 000	2 000/2500	2500/3 200		
400 VAC	AC-23 A / AC-23 B	1000/1000	1250/1250	1250/1250	1250/1250	1250/1250	1600/1600	1600/1600	1600/1600		
500 VAC	AC-21 A / AC-21 B	800/800	800/800	1250/1250	1600/1600	1600/1600	2 000/2 000	2500/2500	3 200/3 200		
500 VAC	AC-22 A / AC-22 B	800/800	800/800	1250/1250	1250/1250	1250/1250	1600/2 000	1600/2 000	2 000/2 000		
500 VAC	AC-23 A / AC-23 B	630/800	630/800	1000/1000	1000/1000	1000/1000	1000/1000	1000/1000	1000/1000		
690 VAC ⁽²⁾	AC-20 A / DC-20 B	1000/1000	1250/1250	1250/1250	1600/1600	1 800/1 800	2 000/2 000	2500/2500	3 200/3 200		
690 VAC ⁽²⁾	AC-21 A / AC-21 B	800/800	800/800	1000/1000	1000/1000	1000/1000	2 000/2 000	2 000/2500	2 000/2500		
690 VAC ⁽²⁾	AC-22 A / AC-22 B	800/800	800/800	1000/1000	1000/1000	1000/1000	1000/1000	1000/1000	1000/1000		
690 VAC ⁽²⁾	AC-23 A / AC-23 B	200/250	200/250	500/500	500/500	500/500	800/800	800/800	800/800		
220 VDC	DC-20 A / DC-20 B	1000/1000	1250/1250	1250/1250	1600/1600	1 800/1 800	2 000/2 000	2500/2500	3 200/3 200	4000/4000	5000/5000
220 VDC	DC-21 A / DC-21 B	1000/1000	1250/1250	1250/1250	1250/1250	1250/1250	2 000/2 000	2 000/2500	2 000/2500		
220 VDC	DC-22 A / DC-22 B	1000/1000	1250/1250	1250/1250	1250/1250	1250/1250	1250/1600	1250/1600	1250/1600		
220 VDC	DC-23 A / DC-23 B	1000/1000	1250/1250	1250/1250	1250/1250	1250/1250	1250/1250 ⁽³⁾	1250/1250 ⁽³⁾	1250/1250 ⁽³⁾		
440 VDC	DC-20 A / DC-20 B	1000/1000	1250/1250	1250/1250	1600/1600	1 800/1 800	2 000/2 000	2500/2500	3 200/3 200	4000/4000	5000/5000
440 VDC	DC-21 A / DC-21 B	1000/1000 ⁽⁴⁾	1250/1250 ⁽⁴⁾	1250/1250 ⁽⁴⁾	1250/1250 ⁽³⁾	1250/1250 ⁽³⁾	2 000/2 000	2 000/2 000	2 000/2 000		
440 VDC	DC-22 A / DC-22 B	1000/1000 ⁽⁴⁾	1250/1250 ⁽⁴⁾	1250/1250 ⁽⁴⁾	1250/1250 ⁽³⁾	1250/1250 ⁽³⁾	1250/1250 ⁽³⁾	1250/1250 ⁽³⁾	1250/1250 ⁽³⁾		
440 VDC	DC-23 A / DC-23 B	1000/1000 ⁽⁴⁾	1250/1250 ⁽⁴⁾	1250/1250 ⁽⁴⁾	1250/1250 ⁽³⁾	1250/1250 ⁽³⁾	1000/1000 ⁽³⁾	1000/1000 ⁽³⁾	1000/1000 ⁽³⁾		
500 VDC	DC-20 A / DC-20 B	1000/1000	1250/1250	1250/1250	1600/1600	1 800/1 800	2 000/2 000	2500/2500	3 200/3 200	4000/4000	5000/5000
500 VDC	DC-21 A / DC-21 B	1000/1000 ⁽⁴⁾	1250/1250 ⁽⁴⁾	1250/1250 ⁽⁴⁾	1250/1250 ⁽³⁾	1250/1250 ⁽³⁾	1250/1250	1250/1250	1250/1250		
500 VDC	DC-22 A / DC-22 B	1000/1000 ⁽⁴⁾	1250/1250 ⁽⁴⁾	1250/1250 ⁽⁴⁾	1250/1250 ⁽³⁾	1250/1250 ⁽³⁾	1250/1250 ⁽³⁾	1250/1250 ⁽³⁾	1250/1250 ⁽³⁾		
500 VDC	DC-23 A / DC-23 B	1000/1000 ⁽⁴⁾	1250/1250 ⁽⁴⁾	1250/1250 ⁽⁴⁾	1250/1250 ⁽³⁾	1250/1250 ⁽³⁾	1000/1000 ⁽³⁾	1000/1000 ⁽³⁾	1000/1000 ⁽³⁾		

Operational power in AC-23 (kW)											
At 400 VAC without pre-break in AC ⁽¹⁾⁽⁵⁾	560/560	710/710	710/710	710/710	710/710	710/710	710/710	710/710	710/710		
At 500 VAC without pre-break in AC ⁽¹⁾⁽⁵⁾	450/560	450/560	710/710	710/710	710/710	710/710	710/710	710/710	710/710		
At 690 VAC without pre-break in AC ⁽¹⁾⁽⁵⁾	185/220	185/220	475/475	475/475	475/475	750/750	750/750	750/750	750/750		

Reactive power (kvar)											
At 400 VAC (kvar) ⁽⁵⁾	460	575	575								

Fuse protected short-circuit withstand (kA rms prospective)											
Prospective short-circuit (kA rms) ⁽⁶⁾	100	100	100	100	100	100	100				
Associated fuse rating (A) ⁽⁶⁾	1000	1250	1250	2 x 800	2 x 800	2 x 1000	2 x 1250				

Short-circuit capacity											
Rated short-time withstand current 0,3 s. I _{cw} (kA eff.)	65	65	100	100	100	100	100	100	110	75 ⁽⁶⁾	75 ⁽⁶⁾
Rated peak withstand current (kA peak) ⁽⁶⁾	80	80	110	110	110	110	110	110	120	165	165

Connection											
Min. connection wire range	2 x 240										
Minimum Cu busbar section (mm ²)	2 x 50 x 5	2 x 60 x 5	2 x 60 x 5	2 x 80 x 5	3 x 100 x 5	3 x 100 x 5	4 x 100 x 5	4 x 100 x 5	1 x 100 x 5	1 x 100 x 5	
Maximum Cu cable section (mm ²)	4 x 185	4 x 185	4 x 185	6 x 185	6 x 185						
Maximum Cu busbar width (mm)	63	63	100	100	100	100	100	100			
Tightening torque min (Nm)			40	40	40	40	40	40	40	40	40

Mechanical characteristics											
Durability (number of operating cycles)	3 000	3 000	4000	4000	4000	3 000	3 000	3 000	2 000	2 000	
Operating effort (Nm)	37	37	56	56	56	75	75	75	100	100	
Weight of a 3 pole device (kg)	8	8	12	12	12	22	22	22	45	45	
Weight of a 4 pole device (kg)	10	10	15	15	15	25	25	25	50	50	

(1) Category with index A = frequent operation - Category with index B = infrequent operation.
 (2) With terminal shrouds or phase barrier.
 (3) 3-pole device with 2 pole in series for the "+" and 1 pole for the "-".
 (4) 4-pole device with 2 pole in series by polarity.
 (5) The power value is given for information only, the current values vary from one manufacturer to another.
 (6) For a rated operational voltage U_e = 400 VAC.

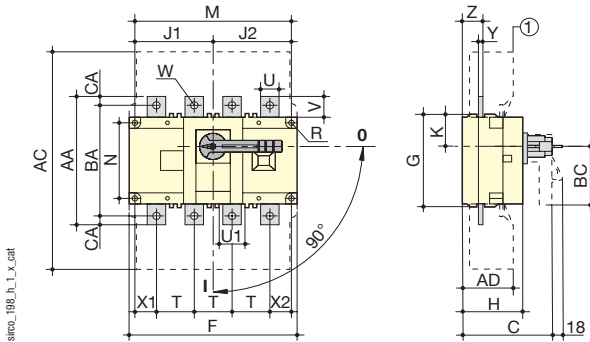
➔ **Dimensions**

Front operation

SIRCO 125 to 630 A

Direct front operation

External front operation



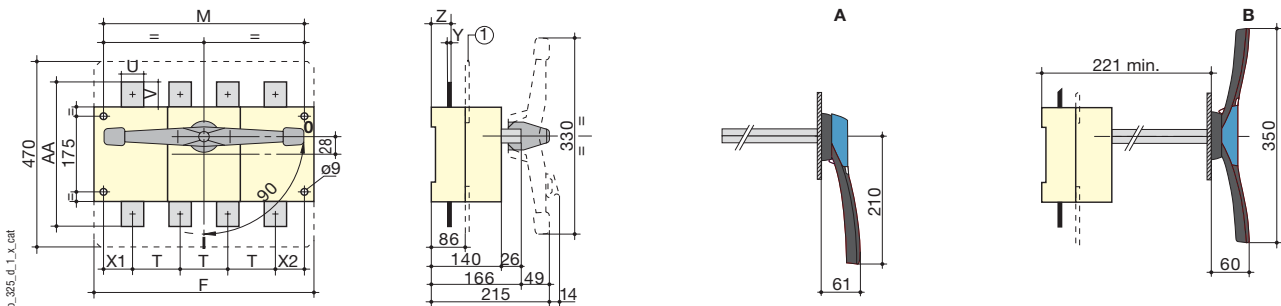
1. Terminal shrouds
A. S2 type handle

Rating (A)	Overall dimensions		Terminal shrouds		Switch body							Switch mounting				Connection														
	C	D min	AC	AD	F 3p.	F 4p.	G	H	J1 3p.	J1 4p.	J2	K	BC	M 3p.	M 4p.	N	R	T	U	U1	V	W	X1 3p.	X1 4p.	X2	Y	Z	AA	BA	AC
125	115	125	235	50	140	170	93	65	45	75	75	31.5	80	120	150	65	5.5	36	20	20.5	25	9	28	22	20	3.5	20.5	135	115	10
160	115	125	235	50	140	170	93	65	45	75	75	31.5	80	120	150	65	5.5	36	20	20.5	25	9	28	22	20	3.5	20.5	135	115	10
200	125	135	280	60	180	230	108	75	55	105	105	34	115	160	210	80	5.5	50	25	25.5	30	11	33	33	27	3.5	22.5	160	130	15
250	125	135	280	60	180	230	108	75	55	105	105	34	115	160	210	80	5.5	50	25	25.5	30	11	33	33	27	3.5	22.5	160	130	15
315	160	165	401	89	230	290	170	110	75	135	135	55	115	210	270	140	7	65	32	45.5	37.5	11	42.5	37.5	37.5	5	36	235	205	15
400	160	165	401	89	230	290	170	110	75	135	135	55	115	210	270	140	7	65	32	45.5	37.5	11	42.5	37.5	37.5	5	36	235	205	15
500	160	165	401	89	230	290	170	110	75	135	135	55	115	210	270	140	7	65	32	45.5	37.5	13	42.5	37.5	37.5	5	36	235	205	15
630	160	165	400	89	230	290	170	110	75	135	135	55	115	210	270	140	7	65	45	45.5	50	13	42.5	37.5	37.5	5	36	260	220	20

SIRCO 800 to 1800 A

Direct front operation

External front operation



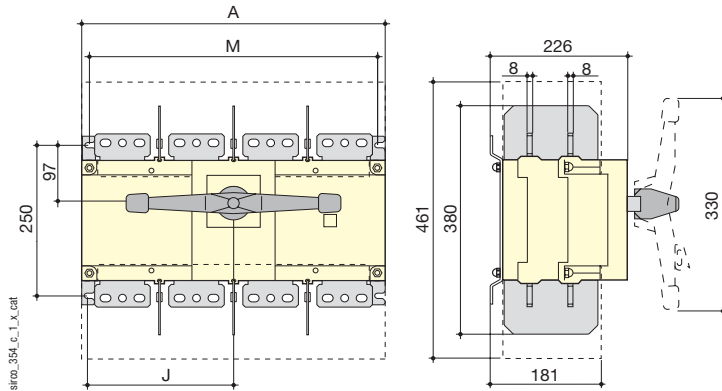
1. Terminal screens
A. Handle single lever S3 type
B. Handle double lever S4 type

Rating (A)	Switch body		Switch mounting		Connection							
	F 3p.	F 4p.	M 3p.	M 4p.	T	U	V	Y	X1	X2	Z	AA
800	280	360	255	335	80	50	60.5	7	47.5	47.5	46.5	321
1 000	280	360	255	335	80	50	60.5	7	47.5	47.5	46.5	321
CD 1 250	280	360	255	335	80	60	65	7	47.5	47.5	46.5	330
1 250	372	492	347	467	120	90	44	8	53.5	53.5	47.5	288
1 600	372	492	347	467	120	90	44	8	53.5	53.5	47.5	288
1 800	372	492	347	467	120	90	44	8	53.5	53.5	47.5	288

Front operation (continued)

SIRCO 2 000 to 3200 A

Direct front operation

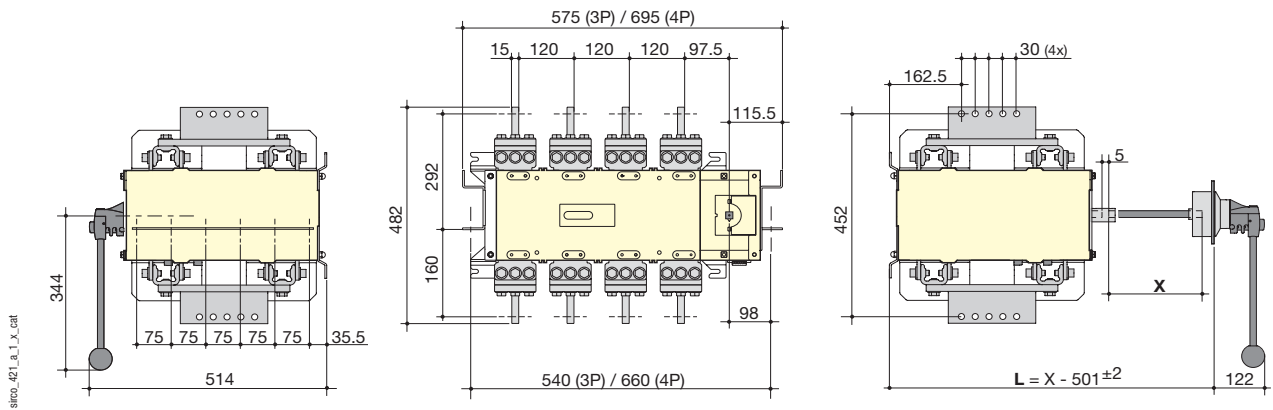


Rating (A)	Overall dimensions		Switch body		Switch mounting	
	A 3p.	A 4p.	J 3p.	J 4p.	M 3p.	M 4p.
2 000	372	492	173.5	233.5	347	467
2 500	372	492	173.5	233.5	347	467
3 200	372	492	173.5	233.5	347	467

SIRCO 4 000 to 5000 A

Direct front operation

External front operation

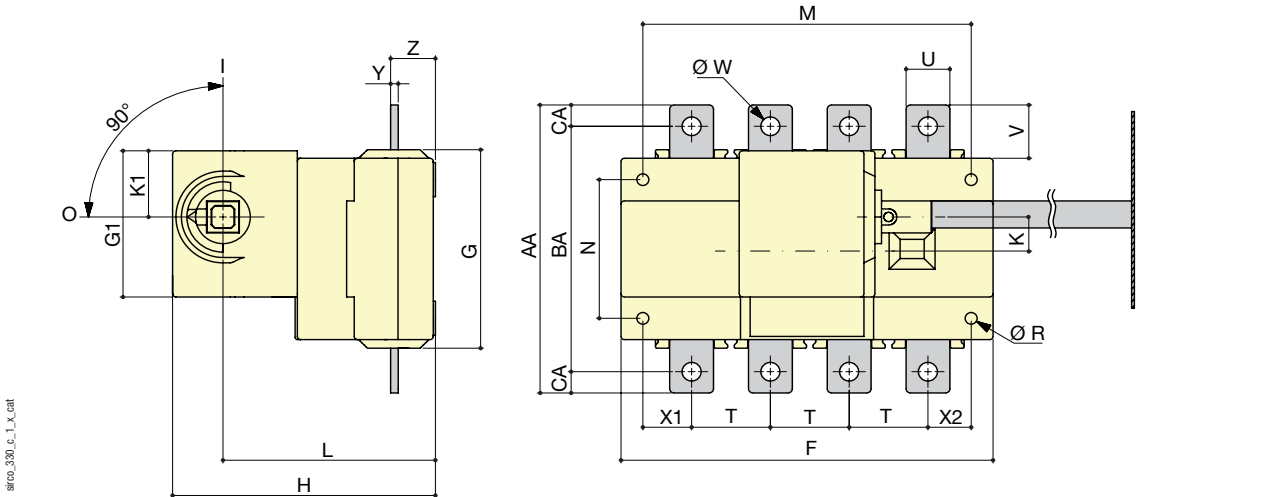


Rating (A)	Overall dimensions		Switch body		Switch mounting	
	A 3p.	A 4p.	F 3p.	F 4p.	M 3p.	M 4p.
4 000...5000	684	804	470	590	347	467

Side operation

SIRCO 125 to 630 A

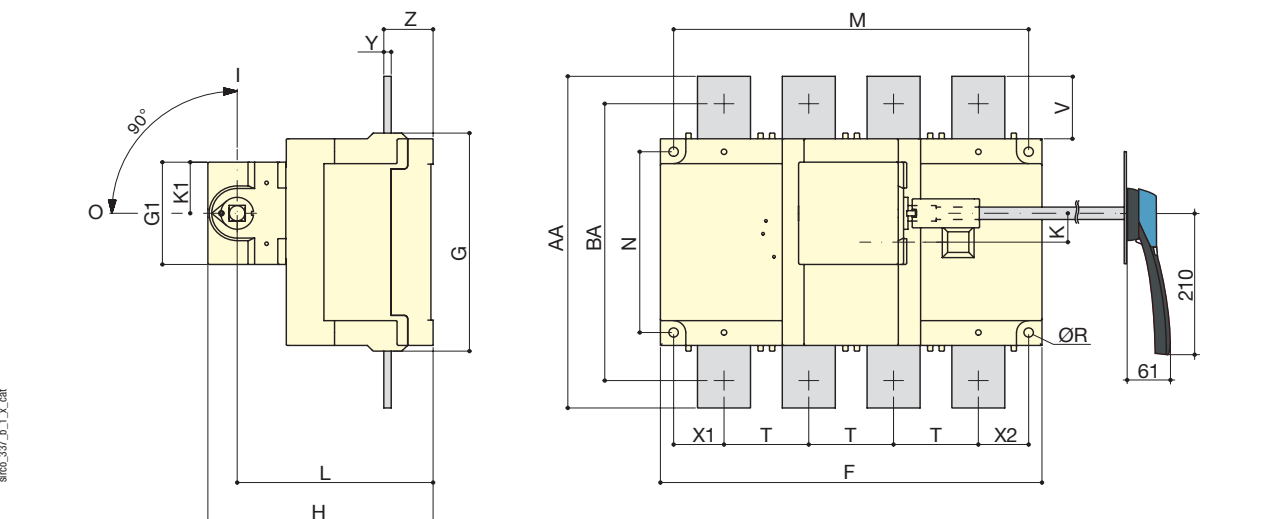
External right side operation



Rating (A)	Switch body				Switch mounting				Connection															
	F 3p.	F 4p.	G	G1	H	K	K1	L	M 3p.	M 4p.	N	R	T	U	V	W	X1 3p.	X1 4p.	X2	Y	Z	AA	BA	AC
125	140	170	93	69	120	15	31	97	120	150	65	5.5	36	20	25	9	28	22	20	3.5	20.5	135	115	10
160	140	170	93	69	120	15	31	97	120	150	65	5.5	36	20	25	9	28	22	20	3.5	20.5	135	115	10
200	180	230	108	69	130	20	31	108	160	210	80	5.5	50	25	30	11	33	33	27	3.5	22.5	160	130	15
250	180	230	108	69	130	20	31	160	210	80	5.5	50	25	30	11	33	33	27	3.5	22.5	160	130	15	
315	230	290	170	69	165	29	31	142	210	270	140	7	65	32	37.5	11	42.5	37.5	37.5	5	36	235	205	15
400	230	290	170	69	165	29	31	142	210	270	140	7	65	32	37.5	11	42.5	37.5	37.5	5	36	235	205	15
500	230	290	170	69	165	29	31	142	210	270	140	7	65	32	37.5	13	42.5	37.5	37.5	5	36	235	205	15
630	230	290	170	69	165	29	31	142	210	270	140	7	65	45	50	13	42.5	37.5	37.5	5	36	260	220	20

SIRCO 800 to 1800 A

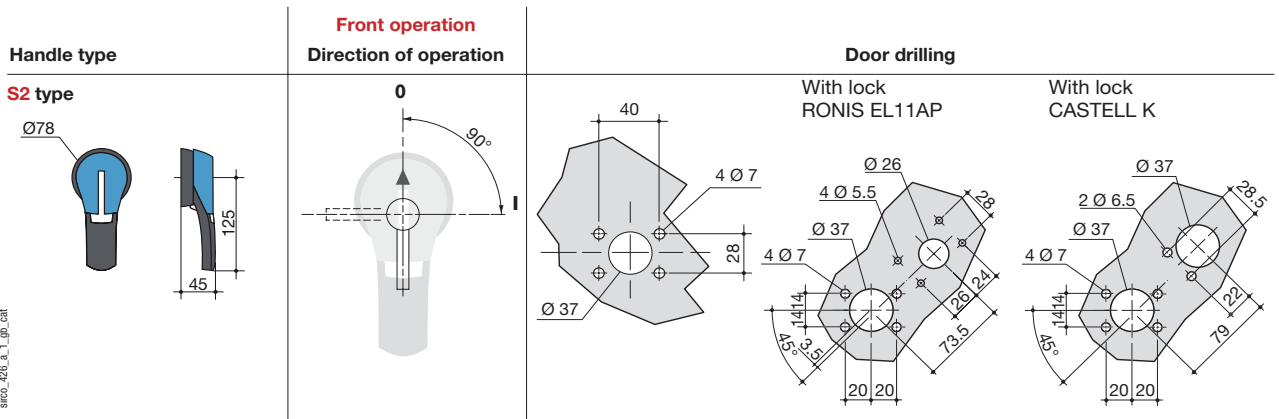
External right side operation



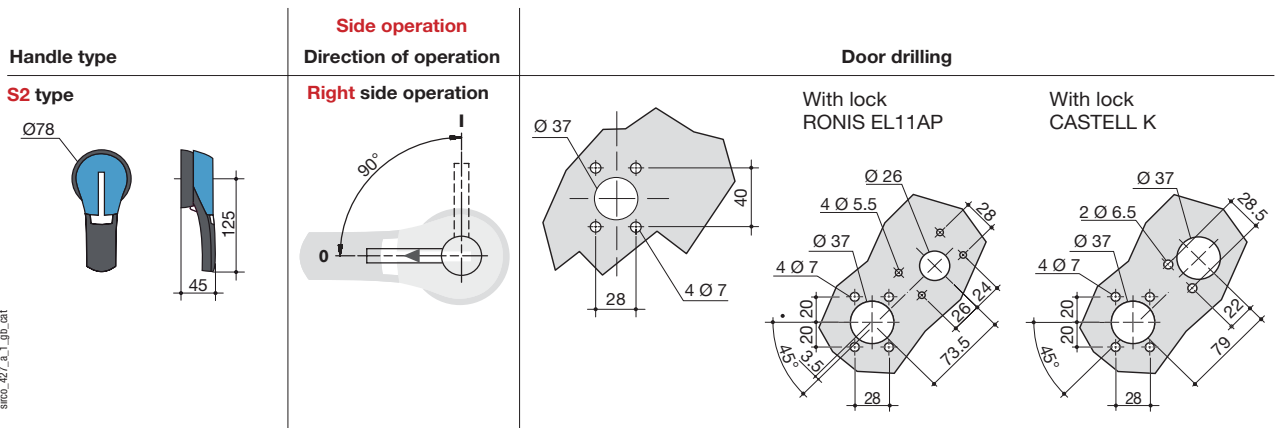
Rating (A)	Switch body				Switch mounting				Connection													
	F 3p.	F 4p.	G	G1	H	K	K1	L	M 3p.	M 4p.	N	R	T	V	X1	X2	Y	Z	AA	BA		
800	280	360	211	99	213	28	50	185	255	335	175	9	80	60.5	47.5	47.5	7	46.5	321	268		
CD 1 250	280	360	211	99	213	28	50	185	255	335	175	9	80	65	47.5	47.5	7	46.5	330			
1 800	372	492	211	99	213	28	50	185	347	467	175	9	120	44	53.5	53.5	8	47.5	288	258		

➤ Dimensions for external handles

SIRCO 125 to 630 A

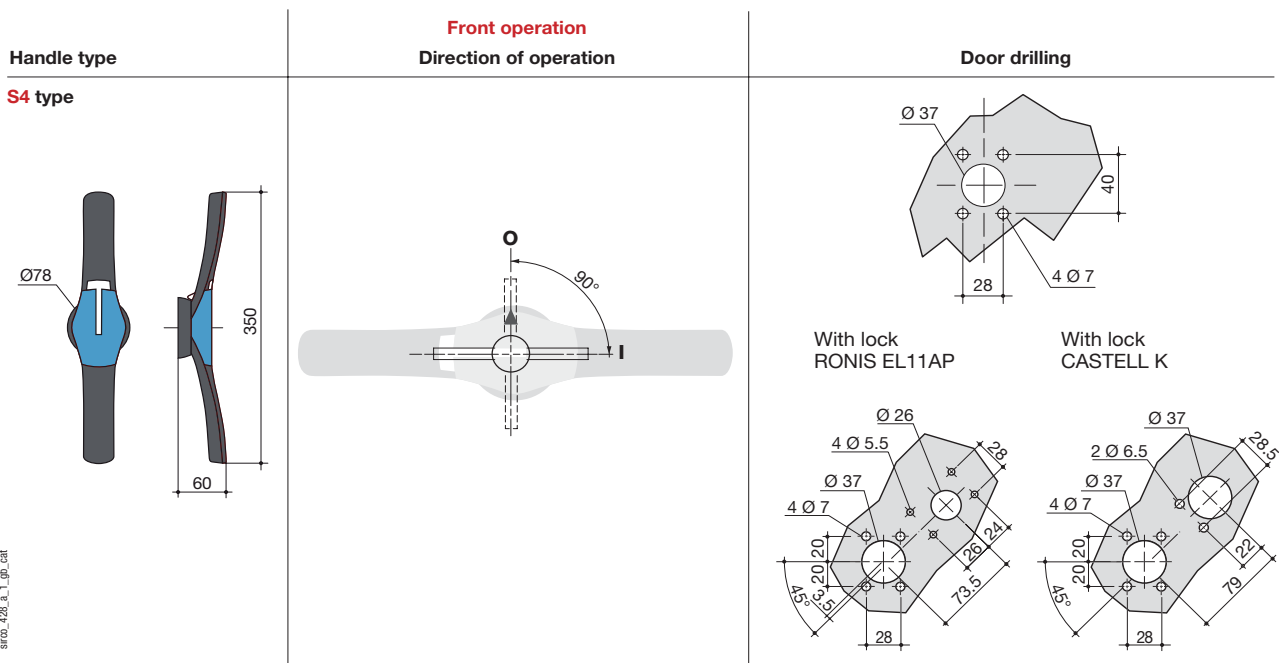


sirco_426_a_1_gp_cat



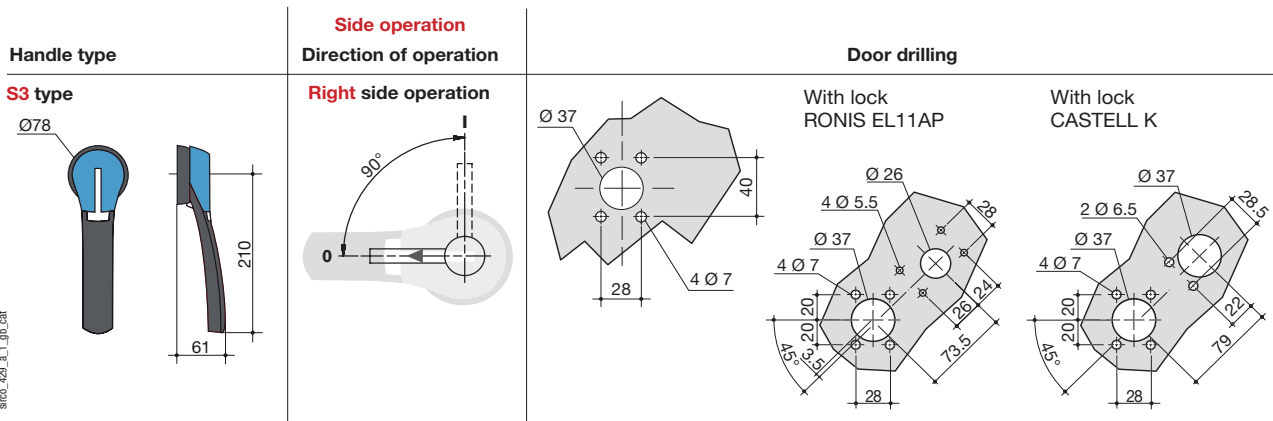
sirco_427_a_1_gp_cat

SIRCO 800 to 1800 A

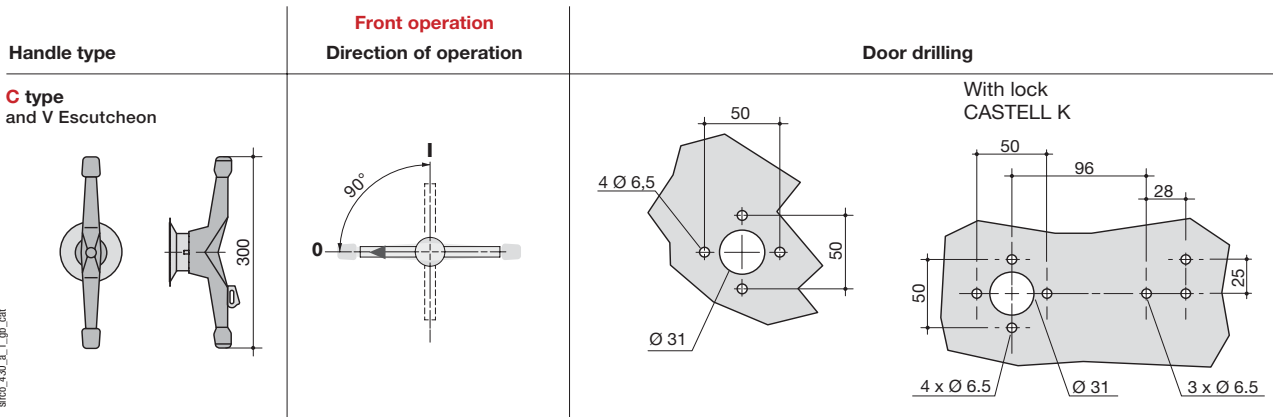


sirco_428_a_1_gp_cat

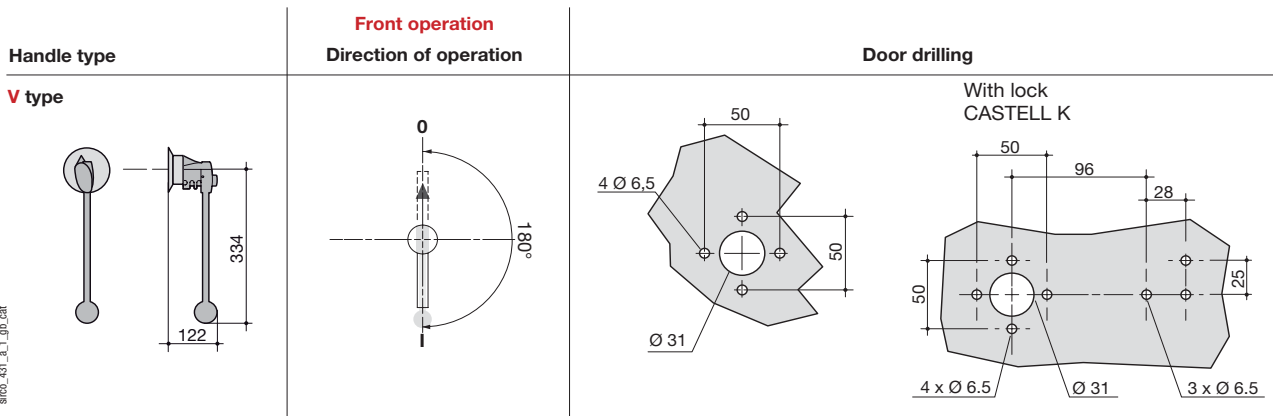
SIRCO 800 to 1800 A



SIRCO 2 000 to 3200 A

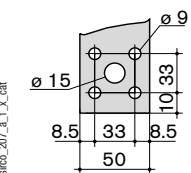


SIRCO 4 000 to 5000 A

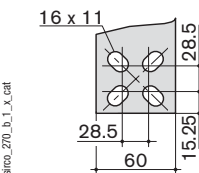


➔ **Connection terminals**

SIRCO 800 to 1000 A



SIRCO CD 1 250 A



SIRCO 1 250 to 3200 A

