

GS1FD3

switch-disconnector fuse body GS1 - TeSys
GS - 3 poles - NFC - 50 A



Main

Commercial Status	Commercialised
Range of product	TeSys GS
Device short name	GS1 F
Fuse type	NFC
Fuse size	14 x 51 mm
Product or component type	Fuse switch disconnector body
Poles description	3P
Network type	AC DC
Type of operating handle	Direct right side
[I _{th}] conventional free air thermal current	50 A at 40 °C

Complementary

Network frequency	50/60 Hz
Mounting support	Plate Rail
[U _i] rated insulation voltage	750 V AC 50/60 Hz
[U _{imp}] rated impulse withstand voltage	8 kV
[I _e] rated operational current	50 A at 690 V AC-23B 50 A at 690 V AC-23A 50 A at 500 V AC-23B 50 A at 500 V AC-23A 50 A at 400 V AC-23B 50 A at 400 V AC-23A 40 A at 440 V 2 poles in series per phase DC-23B 40 A at 440 V 2 poles in series per phase DC-23A
Rated operational power in W	45 kW at 690 V AC-23B 45 kW at 690 V AC-23A 33 kW at 500 V AC-23B 33 kW at 500 V AC-23A 25 kW at 400 V AC-23B 25 kW at 400 V AC-23A
Making capacity	500 A at 400 V (AC-23B)
[I _{cm}] rated short-circuit making capacity	50 kA rating of associated fuses 100 kA at 400 V with protection by gG (gl) fuses
Breaking capacity	400 A at 400 V AC-23B
Mechanical durability	10000 cycles
Electrical durability	300 cycles on DC-23B 300 cycles on DC-23A 1500 cycles on AC-23B 1500 cycles on AC-23A
Connections - terminals	Power circuit: screw terminals cable 6...25 mm ² - cable stiffness: flexible
Tightening torque	Power circuit: 3200 N.m - on screw terminals
Height	114 mm
Width	120.5 mm
Depth	87 mm
Product weight	0.8 kg

The information provided in this documentation contains general descriptions and/or technical characteristics of the performance of the products contained herein. This documentation is not intended as a substitute for and is not to be used for determining suitability or reliability of these products for specific user applications. It is the duty of any such user or integrator to perform the appropriate and complete risk analysis, evaluation and testing of the products with respect to the relevant specific application or use thereof. Neither Schneider Electric Industries SAS nor any of its affiliates or subsidiaries shall be responsible or liable for misuse of the information contained herein.

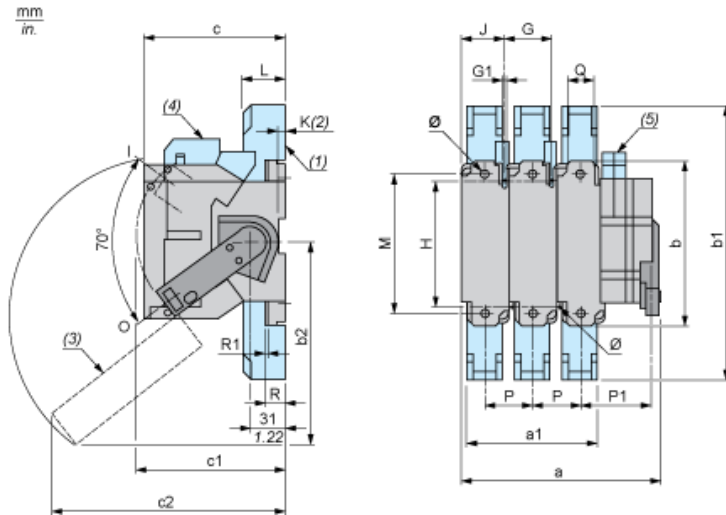
Environment

Standards	IEC 60269-1 IEC 60269-2 IEC 60947-3
Product certifications	ASEFA LOVAG LROS (Lloyds register of shipping)
Protective treatment	TH
IP degree of protection	IP20 with terminal cover conforming to IEC 60529
Fire resistance	960 °C body conforming to IEC 60695-2-1 850 °C fuse cover conforming to IEC 60695-2-1

Contractual warranty

Period	18 months
--------	-----------

Direct RH Side-mounted Operator



- (1) Terminal cover.
- (2) Mounting on 5 rail only for GS1FD and GS1GD (50 and 63 A).
- (3) Protective screen, lockable in I position.
- (4) 1 or 2 auxiliary contacts GS1AF**.
- (5) 1 or 2 auxiliary contacts GS1AM**.

In the following table, the dimensions are provided in millimeters and in inches (in italic text).

GS1		a	a1	b	b1	b2	c	c1	c2	G	G1	H	J	K	Ø	L	M	P	P1	Q	R	R1	Ø
FD	3P	118 4.65	-	118 4.65	-	-	87 3.43	134 5.28	-	27 1.06	5.4 0.21	106 4.17	31 1.22	6.5 0.26	5 0.20	-	-	27 1.06	33.5 1.32	-	-	-	-
4P		145 5.71	-	118 4.65	-	-	87 3.43	134 5.28	-	27 1.06	5.4 0.21	106 4.17	31 1.22	6.5 0.26	5 0.20	-	27 1.06	33.5 1.32	-	-	-	-	-
GD	3P	133 5.24	-	118 4.65	-	159 6.26	116.5 4.59	134 5.28	145 5.71	32 1.26	5.4 0.21	106 4.17	36 1.42	6.5 0.26	5 0.20	-	-	32 1.26	36 1.42	-	-	-	-
4P		165 6.50	-	118 4.65	-	159 6.26	116.5 4.59	134 5.28	145 5.71	32 1.26	5.4 0.21	106 4.17	36 1.42	6.5 0.26	5 0.20	-	32 1.26	36 1.42	-	-	-	-	-
JD, KD	3P	150 5.91	108 4.25	162 6.38	268 10.55	-	116 4.57	173 6.81	-	36 1.42	5.4 0.21	127 5.00	40 1.57	-	5 0.20	44 1.73	141 5.55	36 1.42	38 1.50	20 0.79	19.5 0.77	2.5 0.10	8.5 0.33
4P		186 7.32	144 5.67	162 6.38	268 10.55	-	116 4.57	173 6.81	-	36 1.42	5.4 0.21	127 5.00	40 1.57	-	5 0.20	44 1.73	141 5.55	36 1.42	38 1.50	20 0.79	19.5 0.77	2.5 0.10	8.5 0.33
KKD, LLD	3P	150 5.91	108 4.25	162 6.38	268 10.55	141 5.55	126.5 4.98	173 6.81	193 7.60	36 1.42	5.4 0.21	127 5.00	40 1.57	-	5 0.20	44 1.73	141 5.55	36 1.42	38 1.50	20 0.79	19.5 0.77	2.5 0.10	8.5 0.33
4P		186 7.32	144 5.67	162 6.38	268 10.55	141 5.55	126.5 4.98	173 6.81	193 7.60	36 1.42	5.4 0.21	127 5.00	40 1.57	-	5 0.20	44 1.73	141 5.55	36 1.42	38 1.50	20 0.79	19.5 0.77	2.5 0.10	8.5 0.33
LD	3P	192 7.56	136 5.35	162 6.38	268 10.55	174 6.85	136.5 5.37	173 6.81	229 9.02	50 1.97	5.4 0.21	140 5.51	54 2.13	-	5 0.20	44 1.73	141 5.55	50 1.97	45 1.77	20 0.79	19.5 0.77	2.5 0.10	8.5 0.33
4P		242 9.53	172 6.77	162 6.38	268 10.55	174 6.85	136.5 5.37	173 6.81	229 9.02	50 1.97	5.4 0.21	140 5.51	54 2.13	-	5 0.20	44 1.73	141 5.55	50 1.97	45 1.77	20 0.79	19.5 0.77	2.5 0.10	8.5 0.33
ND	3P	253 9.96	180 7.09	195 7.68	345 13.58	185 7.28	146 5.75	173 6.81	251 9.88	60 2.36	6.4 0.25	162 6.38	64 2.52	-	6 0.24	65 2.56	166 6.54	60 2.36	81 3.19	32 1.26	19.5 0.77	2.5 0.10	11 0.43
4P		313 12.32	240 9.45	195 7.68	345 13.58	185 7.28	146 5.75	173 6.81	251 9.88	60 2.36	6.4 0.25	162 6.38	64 2.52	-	6 0.24	65 2.56	166 6.54	60 2.36	81 3.19	32 1.26	19.5 0.77	2.5 0.10	11 0.43

GS1		a	a1	b	b1	b2	c	c1	c2	G	G1	H	J	K	Ø	L	M	P	P1	Q	R	R1	Ø
QQD	3P	271	192	205	355	200	149	173	260	66	6.4	172	70	-	6	65	175	66	86	50	20	3	11
		10.67	7.56	8.07	13.98	7.87	5.87	6.81	10.24	2.60	0.25	6.77	2.76		0.24	2.56	6.89	2.60	3.39	1.97	0.79	0.12	0.43
4P	337	258	205	355	200	149	173	260	66	6.4	172	70	-	6	65	175	66	86	50	20	3	11	
	13.27	10.16	8.07	13.98	7.87	5.87	6.81	10.24	2.60	0.25	6.77	2.76		0.24	2.56	6.89	2.60	3.39	1.97	0.79	0.12	0.43	

3-pole GS

