

170AAO12000

distributed analog output Modicon Momentum - 4
Output - 0..20 mA



Main

Range of product	Modicon Momentum automation platform
Product or component type	Analogue output base

Complementary

Analogue output number	4
Data format	Full 16 bits signed
Analogue output range	+/- 10 V 12 bits + sign ≥ 1 kOhm 0...20 mA 12 bits + sign ≤ 0.6 kOhm
Load capacitance	$< 1 \mu\text{F}$
Absolute accuracy error	+/- 0.2 % of full scale +/- 10 V 25 °C +/- 0.25 % full scale +/- 10 V 60 °C +/- 0.3 % of full scale 0...20 mA 25 °C +/- 0.4 % of full scale 0...20 mA 60 °C
Temperature drift	10 %oFS/°C +/- 10 V 60 °C 30 %oFS/°C 0...20 mA 60 °C
Update time	< 2 ms
Full scale	10 V +/- 10 V 2 mA 0...20 mA
Fail state	Hold Reset to full scale Reset to zero
Isolation between channels and ground	500 V AC for 1 minute
Power dissipation in W	≤ 8.5 W
Protection type	Internal 2 A slow-blow
Output short-circuit protection	With in voltage circuit
External power requirement	+/- 30 V DC 24 V DC
Permissible common mode voltage	250 V 47...63 Hz AC between channels to ground 250 V 47...63 Hz DC
Reverse polarity protection	Internal
Marking	CE
Local signalling	4 LEDs channel status
Current consumption	150 mA 24 V DC actuator 530 mA 24 V DC base
Module format	Standard
Height	125 mm
Depth	47.5 mm
Width	141.5 mm
Product weight	0.215 kg

Environment

Product certifications	CSA UL
Protective treatment	TC

The information provided in this documentation contains general descriptions and/or technical characteristics of the performance of the products contained herein. This documentation is not intended as a substitute for and is not to be used for determining suitability or reliability of these products for specific user applications. It is the duty of any such user or integrator to perform the appropriate and complete risk analysis, evaluation and testing of the products with respect to the relevant specific application or use thereof. Neither Schneider Electric Industries SAS nor any of its affiliates or subsidiaries shall be responsible or liable for misuse of the information contained herein.

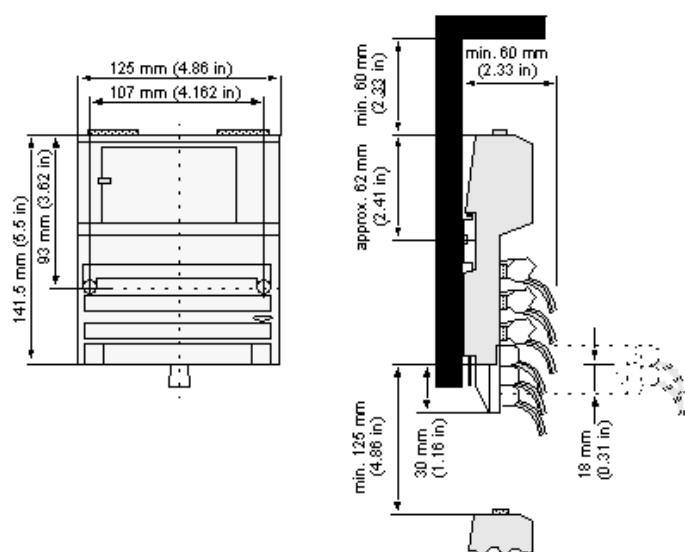
Resistance to electrostatic discharge	4 kV contact IEC 801-2 8 kV on air IEC 801-2
Resistance to electromagnetic fields	10 V/m 80...1000 MHz IEC 801-3
Ambient air temperature for operation	0...60 °C
Ambient air temperature for storage	-40...85 °C
Relative humidity	95 % without condensation
Operating altitude	<= 5000 m

Offer Sustainability

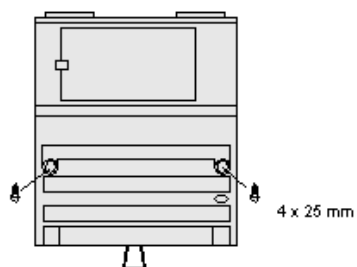
Sustainable offer status	Not Green Premium product
RoHS	Will be Compliant on 4Q2013 Will be Compliant on 4Q2013

Standard Adapter on a Typical Base

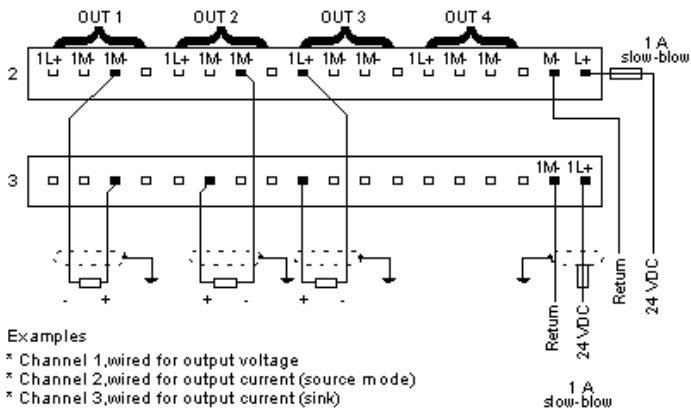
Dimensions



Mounting on a Wall



External Wiring Diagram



Internal Pin Connections

