

# Electronic housing - UEGM-MSTB - 2781453

Please be informed that the data shown in this PDF Document is generated from our Online Catalog. Please find the complete data in the user's documentation. Our General Terms of Use for Downloads are valid (<http://download.phoenixcontact.com>)



Electronic housing, for PCB insertion, with 12-pos. Combicon pin strip

## Product Features

- Efficient assembly thanks to overlapping housing parts
- Unused LED cutouts can be sealed with UEGM MSTB-BS filler plugs
- Plug-in connection can be keyed with CP-MSTB/CR-MSTB to prevent incorrect polarity
- Can be snapped onto standard NS 35/7,5 and NS 35/15 DIN rails
- Integration of 3 mm LEDs (max. leg length of 29 mm)
- The MSTB-BL keying tab can be used to cover individual contact pins in order to form sections on the pin strip

## Key commercial data

<b>package_quantity</b>	10
<b>GTIN</b>	4017918068967

## Technical data

### General

<b>Housing type</b>	Complete housing
<b>Housing material</b>	Polyamide (PA 6.6)
<b>Color</b>	green

### Ambient conditions

<b>Ambient temperature (operation)</b>	-40 °C ... 105 °C
--	-------------------

### Dimensions

<b>Length</b>	79 mm
<b>Constructional height</b>	90.5 mm
<b>Width</b>	25 mm

### Technical data

<b>Inflammability class according to UL 94</b>	V0
<b>Power dissipation at 20°C in the horizontal mounting position</b>	4 W 10 W
<b>Number of positions</b>	12

## classifications

eCl@ss

# Electronic housing - UEGM-MSTB - 2781453

## classifications

### eCl@ss

eCl@ss 4.0	27180401
eCl@ss 4.1	27180401
eCl@ss 5.0	27180506
eCl@ss 5.1	27180506
eCl@ss 6.0	27180802
eCl@ss 7.0	27182702
eCl@ss 8.0	27182702

### ETIM

ETIM 2.0	EC001031
ETIM 3.0	EC001031
ETIM 4.0	EC001031
ETIM 5.0	EC001031

### UNSPSC

UNSPSC 6.01	31261501
UNSPSC 7.0901	31261501
UNSPSC 11	31261501
UNSPSC 12.01	31261501
UNSPSC 13.2	31261501

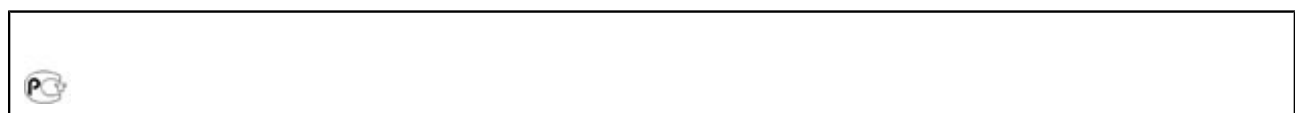
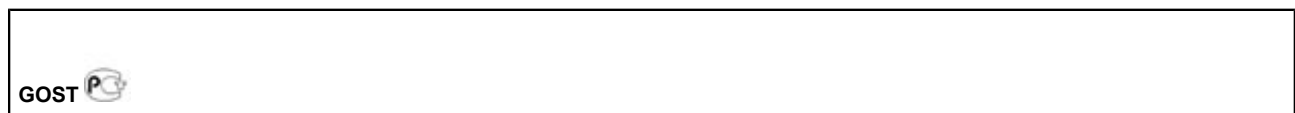
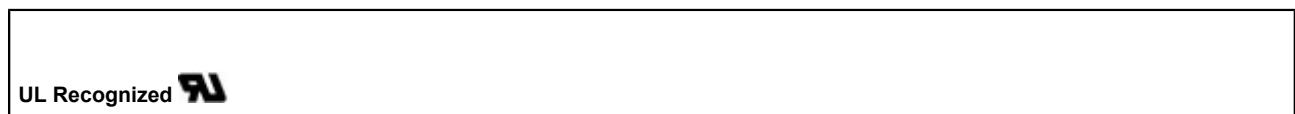
## approvals

---

UL Recognized / GOST / GOST /

---

### Approval details



## accessories

### Dummy module

# Electronic housing - UEGM-MSTB - 2781453

accessories

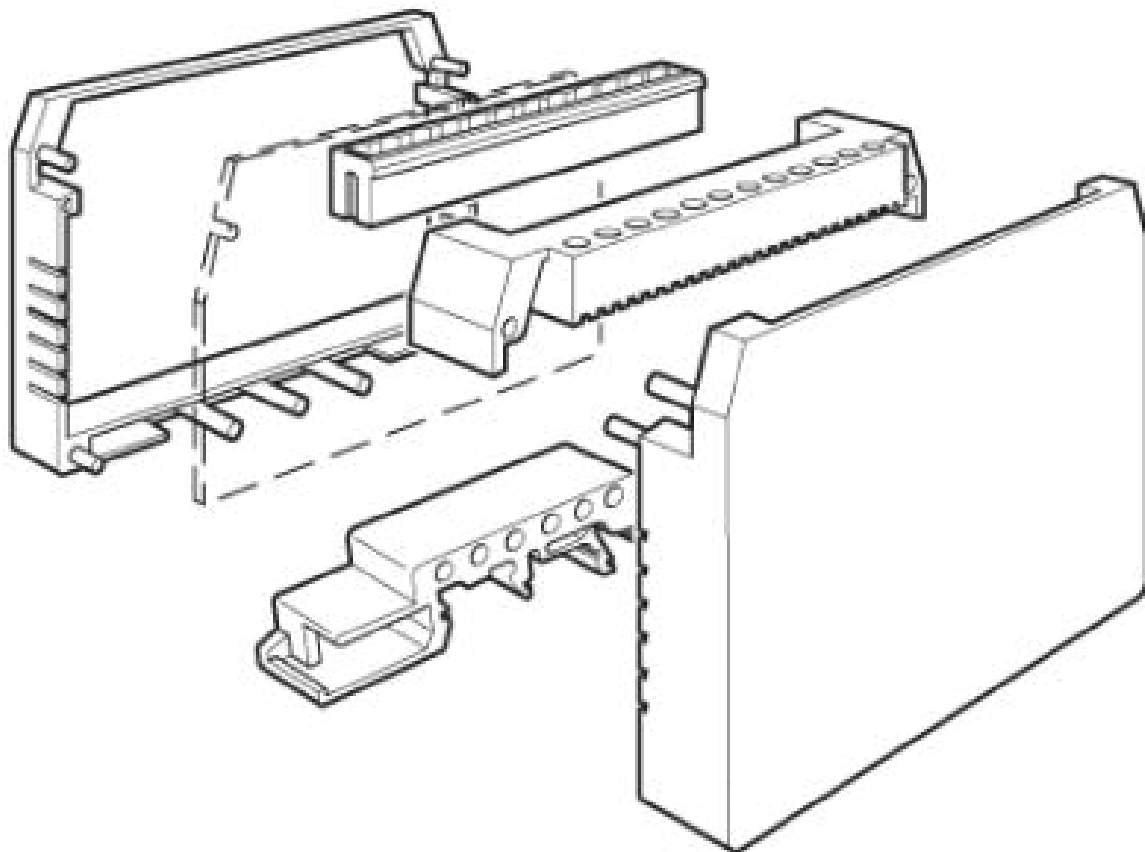
UEGM-MSTB-BS - 2781466



---

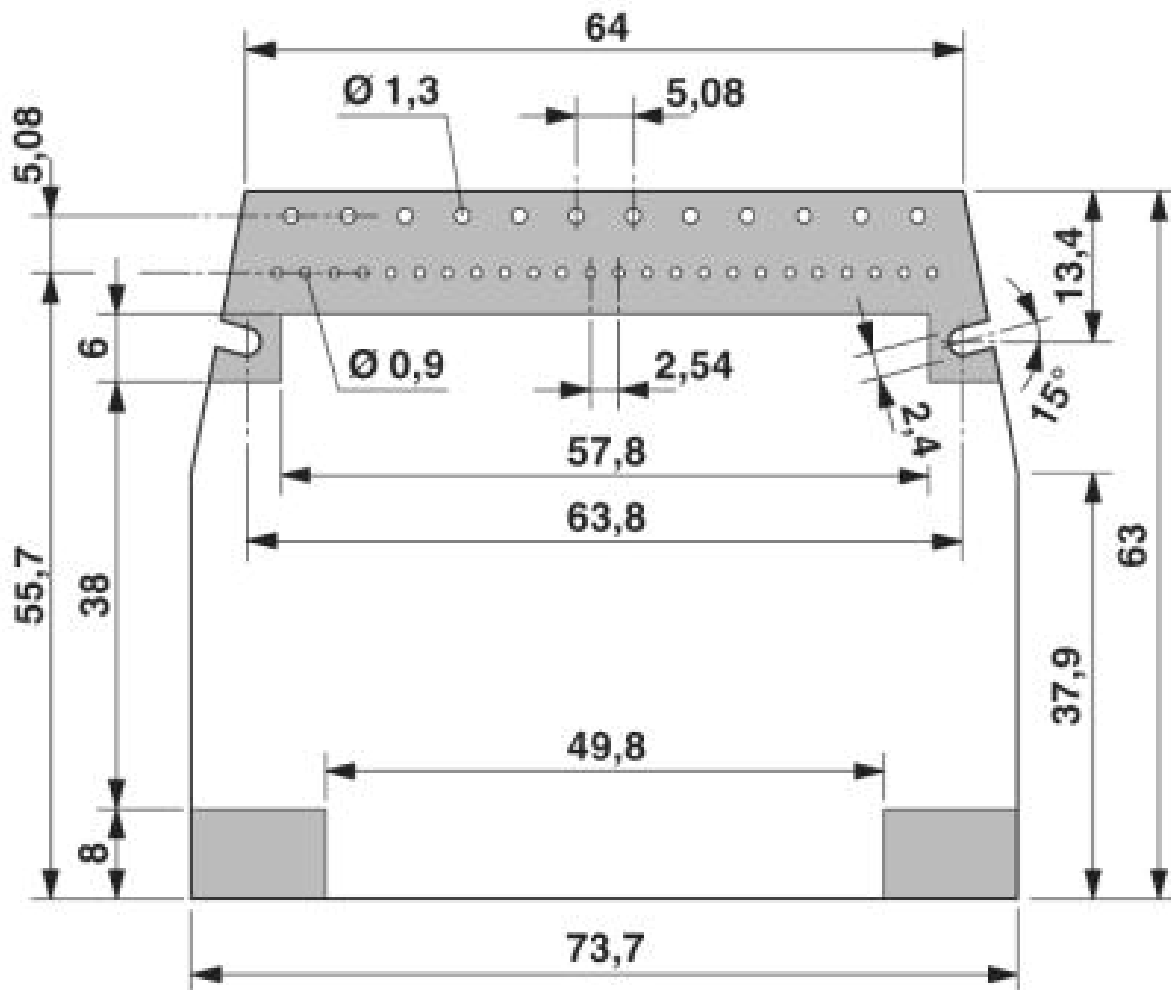
## Drawings

Explosion drawing



# Electronic housing - UEGM-MSTB - 2781453

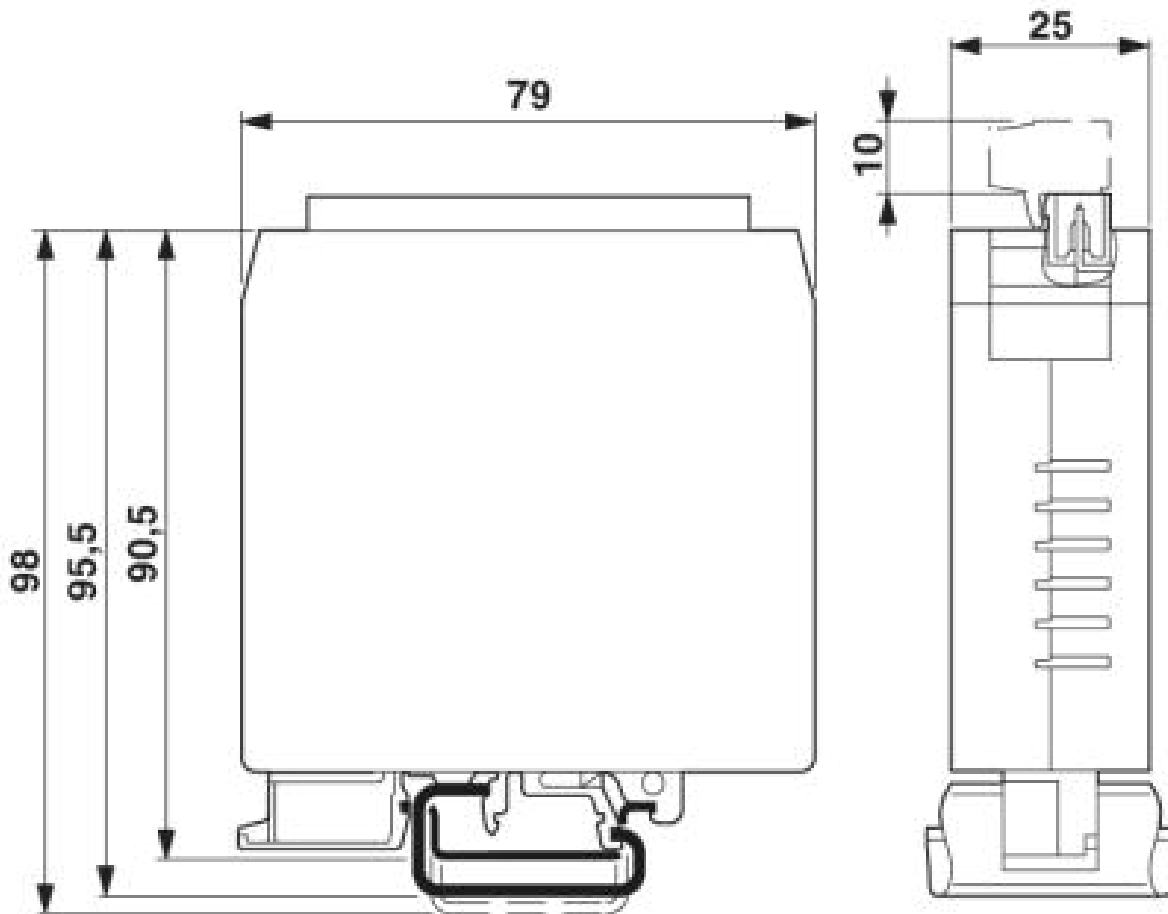
Dimensioned drawing



Soldering side of PCB layout 1 = Overall component area

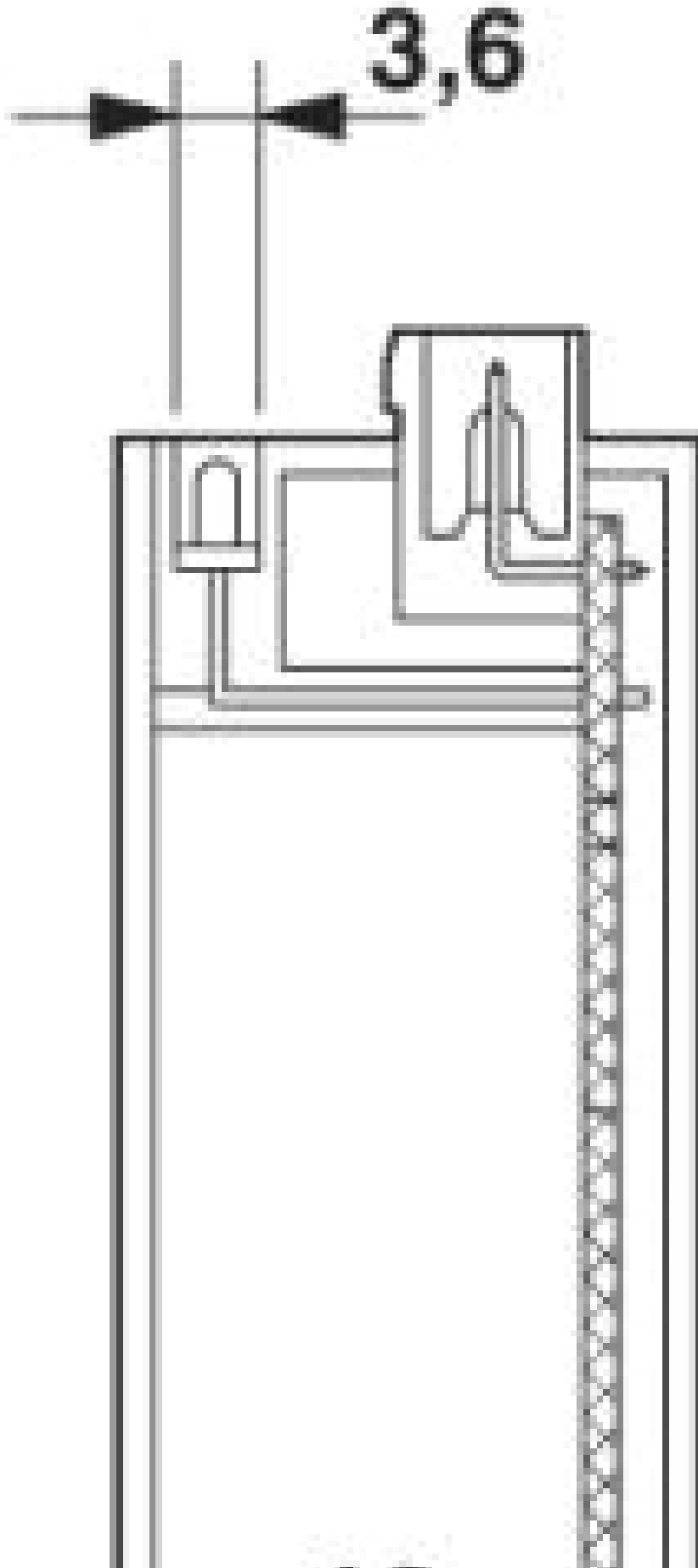
# Electronic housing - UEGM-MSTB - 2781453

Dimensioned drawing



# Electronic housing - UEGM-MSTB - 2781453

Dimensioned drawing





© Phoenix Contact 2014 - all rights reserved  
<http://www.phoenixcontact.com>