

# Spacer plate - DP PS-8 - 3036741

Please be informed that the data shown in this PDF Document is generated from our Online Catalog. Please find the complete data in the user's documentation. Our General Terms of Use for Downloads are valid (<http://download.phoenixcontact.com>)



Spacer plate, Color: red

## Product Features

- The test plugs make contact in the function shaft of terminal blocks from the CLIPLINE complete system
- Test adapters can be assembled individually using DP PS-... modular spacers

## Key commercial data

<b>package_quantity</b>	10
<b>GTIN</b>	4017918818999

## Technical data

### General

<b>Color</b>	red
<b>Insulating material</b>	PA
<b>Inflammability class according to UL 94</b>	V0

### Dimensions

<b>Width</b>	8.2 mm
<b>Length</b>	22.4 mm
<b>Height</b>	29.00 mm

## classifications

### eCl@ss

<b>eCl@ss 4.0</b>	27141199
<b>eCl@ss 4.1</b>	27141199
<b>eCl@ss 5.0</b>	27141145
<b>eCl@ss 5.1</b>	27141145
<b>eCl@ss 6.0</b>	27141133
<b>eCl@ss 7.0</b>	27141133
<b>eCl@ss 8.0</b>	27141133

### ETIM

<b>ETIM 2.0</b>	EC000897
<b>ETIM 3.0</b>	EC000897

# Spacer plate - DP PS-8 - 3036741

## classifications

### ETIM

<b>ETIM 4.0</b>	EC000886
<b>ETIM 5.0</b>	EC000886

### UNSPSC

<b>UNSPSC 6.01</b>	30211812
<b>UNSPSC 7.0901</b>	39121410
<b>UNSPSC 11</b>	39121411
<b>UNSPSC 12.01</b>	39121411
<b>UNSPSC 13.2</b>	39121411

## approvals

---

GOST /

---

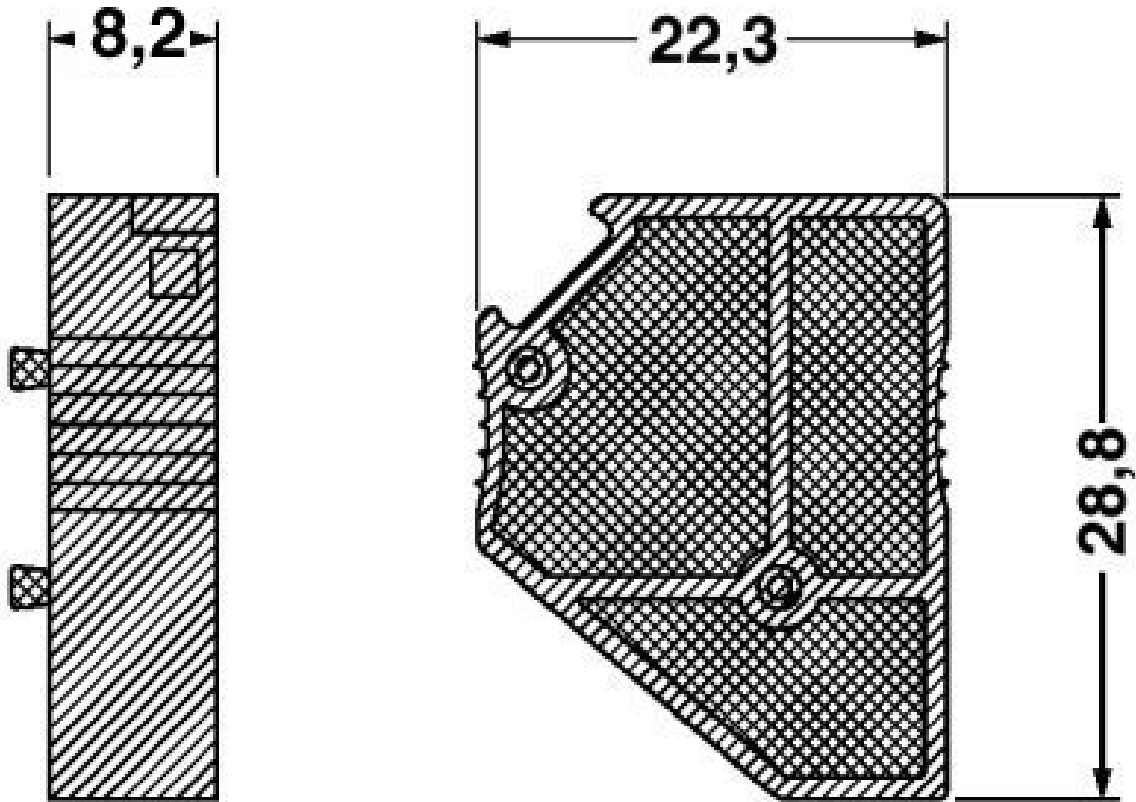
### Approval details


---

## Drawings

# Spacer plate - DP PS-8 - 3036741

Dimensioned drawing



© Phoenix Contact 2014 - all rights reserved  
<http://www.phoenixcontact.com>