

One-phase switching power supply  
regulated, 60 W

<b>Identification</b>	Type	DRA 60-24 A
	Part-No.	722754
<b>Input</b>		
Nominal voltage	AC 100–240 V	
Operation voltage range	AC 85–264 V / DC 90–375 V	
Line frequency	47 Hz – 63 Hz	
Rated current	$U_i = AC\ 115\ V: 690\ mA$ / $U_i = AC\ 230\ V: 360\ mA$	
Inrush current	$U_i = AC\ 115\ V: 20\ A$ / $U_i = AC\ 230\ V: 40\ A$	
Internal fuse	T2 A / AC 250 V	
External fuse	Mini-circuit breaker: B 6 A	
<b>Load Side</b>		
Rated voltage output	DC 24 V	
Rated current output	2.5 A	
Low power loss	8.8 W (AC 230 V)	
Voltage trim range	24/28 V	
Accuracy	±1 %	
Line regulation	±0.5 %	
Load regulation	±0.5 %	
Rise time	1 s	
Temperature coefficient	±0.03 % / °C	
Ripple & Noise	50 mV	

08.11.2013 – Subject to technical modification

Part-No. 722754

USA: LUTZE INC.

13330 South Ridge Drive • Charlotte, NC 28273, USA  
Tel. +1 (704) 504-0222 • Fax +1 (704) 504-0223  
www.lutze.com • info@lutze.com

United Kingdom: LÜTZE Ltd.

Unit 3, Sandy Hill Park  
Sandy Way, Amington • GB-Tamworth, Staffs B77 4DU  
Tel. +44 (0)1827 31333-0 • Fax +44 (0)1827 31333-2  
www.lutze.com • sales.gb@lutze.co.uk

SYSTEMATIC TECHNOLOGY

## Technical data sheet • Power supply

---

Hold up time	$V_{in}= 115\text{ V}: 20\text{ ms} / V_{in}= 230\text{ V}: 30\text{ ms}$
Status indication DC ON LED green	$\geq 19.2\text{ V}$
Parallel/redundant operation	max. 2 devices / via external diodes
Efficiency	89 %
Rated over load protection	110–150 %
Over voltage protection	125–138 %
Short circuit characteristics	Hiccup-mode

---

### General

---

Switching frequency	approx. 80 kHz
Insulation voltage input/output	3.0 kV <sub>eff</sub>
Insulation voltage input / ground	AC 1.5 kV <sub>eff</sub>
Insulation resistance at DC 500 V	100 M $\Omega$
Operation temperature range	-25 °C – 70 °C (derating)
Derating	-2.5% / °C starting at 60 °C
Storage temperature range	-25 °C – 85 °C
M.T.B.F.	520000 h
Relative humidity	20–90% RH, non-condensing
Dimensions (w × h × d)	40.5 × 90.0 × 115.0 mm
Cooling	Natural air cooling, 25 mm distance on all sides
Installation position	vertical
Housing material	Plastic
Protection class	IP 20
Field installation	rail TS 35 (EN 50022)
Application height	2000 m
IP rating	II (SELV, PELV)
Overvoltage category	II
Pollution degree	2
Weight (kg/piece)	0.340
Termination	Screw terminal: 0.2–2.5 mm <sup>2</sup> , max. 0.56 Nm
Approvals	UL: UL 508 listed; cUL: UL 60950-1, UL 1310 Class 2 (not 12 V) recognised; TÜV: EN 60950-1, EN 61558-1, EN 61558-2-17 CE: EN 61000-6-3 / EN 55022 Class B; EN 61000-3-2 EN 601000-3-3; EN 55024; EN 61000-6-2; EN 61000-4-2; EN 61000-4-3 EN 61000-4-4; EN 61000-4-5; EN 61000-4-6; EN 61000-4-8; EN 61000-4-11

---

### Monitoring

---

DC ON Control (Rdy)	Open Collector
Switching voltage	DC 24 V
Switching current	$\leq 35\text{ mA}$
Insulation voltage	none

08.11.2013 – Subject to technical modification

Part-No. 722754

USA: LUTZE INC.

13330 South Ridge Drive • Charlotte, NC 28273, USA  
Tel. +1 (704) 504-0222 • Fax +1 (704) 504-0223  
www.lutze.com • info@lutze.com

United Kingdom: LÜTZE Ltd.

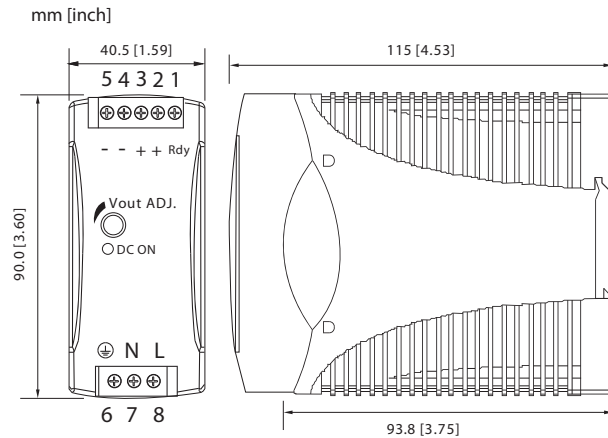
Unit 3, Sandy Hill Park  
Sandy Way, Amington • GB-Tamworth, Staffs B77 4DU  
Tel. +44 (0)1827 31333-0 • Fax +44 (0)1827 31333-2  
www.lutze.com • sales.gb@lutze.co.uk



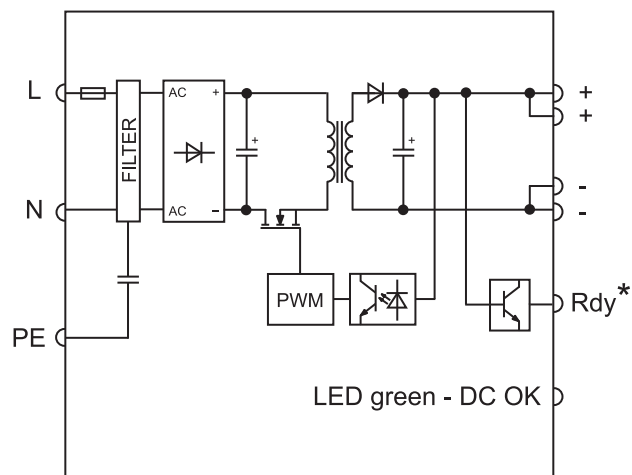
SYSTEMATIC TECHNOLOGY

# Technical data sheet • Power supply

## Dimensions



## PIN assignment



\* for 24V version only

08.11.2013 – Subject to technical modification

Part-No. 722754

USA: LUTZE INC.

13330 South Ridge Drive • Charlotte, NC 28273, USA

Tel. +1 (704) 504-0222 • Fax +1 (704) 504-0223

www.lutze.com • info@lutze.com

United Kingdom: LÜTZE Ltd.

Unit 3, Sandy Hill Park

Sandy Way, Amington • GB-Tamworth, Staffs B77 4DU

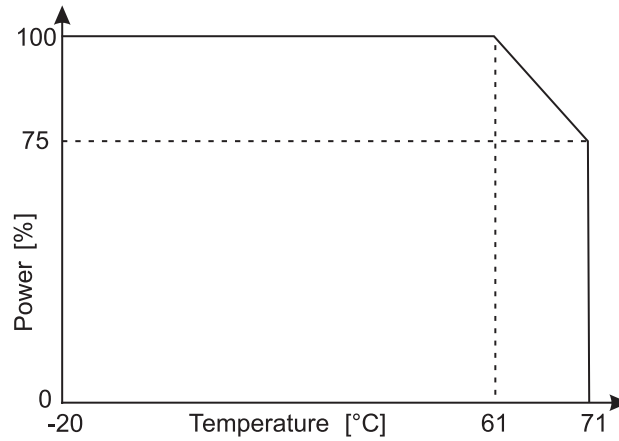
Tel. +44 (0)1827 31333-0 • Fax +44 (0)1827 31333-2

www.lutze.com • sales.gb@lutze.co.uk

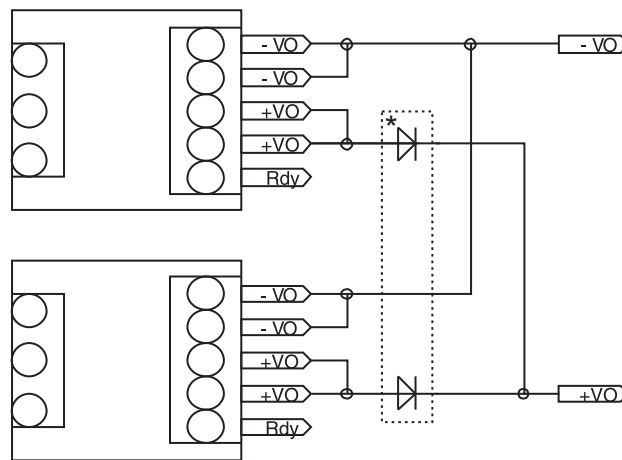


SYSTEMATIC TECHNOLOGY

Derating



Redundant operation



\* Redundant Module 722987  
Only use together with 24 V version!

08.11.2013 – Subject to technical modification

Part-No. 722754

USA: LUTZE INC.

13330 South Ridge Drive • Charlotte, NC 28273, USA

Tel. +1 (704) 504-0222 • Fax +1 (704) 504-0223

www.lutze.com • info@lutze.com

United Kingdom: LÜTZE Ltd.

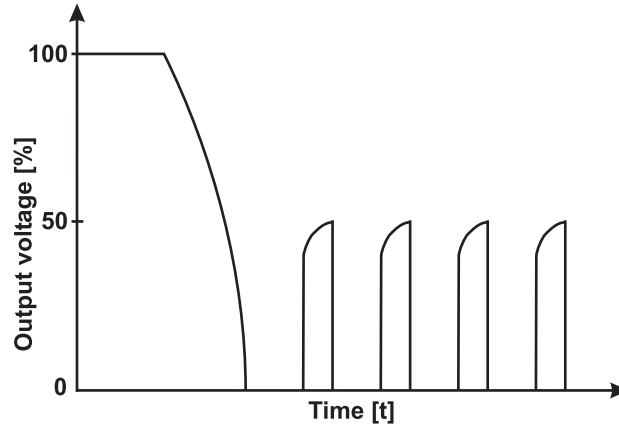
Unit 3, Sandy Hill Park

Sandy Way, Amington • GB-Tamworth, Staffs B77 4DU

Tel. +44 (0)1827 31333-0 • Fax +44 (0)1827 31333-2

www.lutze.com • sales.gb@lutze.co.uk

Short circuit characteristics



08.11.2013 – Subject to technical modification

Part-No. 722754

USA: LUTZE INC.

13330 South Ridge Drive • Charlotte, NC 28273, USA  
Tel. +1 (704) 504-0222 • Fax +1 (704) 504-0223  
www.lutze.com • info@lutze.com

United Kingdom: LÜTZE Ltd.

Unit 3, Sandy Hill Park  
Sandy Way, Amington • GB-Tamworth, Staffs B77 4DU  
Tel. +44 (0)1827 31333-0 • Fax +44 (0)1827 31333-2  
www.lutze.com • sales.gb@lutze.co.uk