

One-phase switching power supply
regulated, 10 W



Identification	Type	DRA 10-24
	Part-No.	722751
Input		
Nominal voltage	AC 100–240 V	
Operation voltage range	AC 90–265 V / DC 120–370 V	
Line frequency	47 Hz – 63 Hz	
Rated current	U _i = AC 115 V: 120 mA / U _i = AC 230 V: 70 mA	
Inrush current	U _i = AC 115 V: 10 A / U _i = AC 230 V: 18 A	
Internal fuse	T2 A / AC 250 V	
External fuse	Mini-circuit breaker: B 4 A	
Load Side		
Rated voltage output	DC 24 V	
Rated current output	0.42 A	
Low power loss	2.8 W (AC 230 V)	
Voltage trim range	21.6–28.8 V	
Accuracy	±1 %	
Line regulation	±1 %	
Load regulation	±2 %	
Rise time	1 s	
Temperature coefficient	±0.03 % / °C	
Ripple & Noise	<50 mV	

08.11.2013 – Subject to technical modification

Part-No. 722751

USA: LUTZE INC.

13330 South Ridge Drive • Charlotte, NC 28273, USA
Tel. +1 (704) 504-0222 • Fax +1 (704) 504-0223
www.lutze.com • info@lutze.com

United Kingdom: LÜTZE Ltd.

Unit 3, Sandy Hill Park
Sandy Way, Amington • GB-Tamworth, Staffs B77 4DU
Tel. +44 (0)1827 31333-0 • Fax +44 (0)1827 31333-2
www.lutze.com • sales.gb@lutze.co.uk



SYSTEMATIC TECHNOLOGY

Technical data sheet • Power supply

Hold up time	$V_{in}= 115\text{ V}: 25\text{ ms} / V_{in}= 230\text{ V}: 100\text{ ms}$
Status indication DC ON LED green	$\geq 21.6\text{ V}$
Status indication DC LOW LED red	$< 18\text{--}21.6\text{ V}$
Parallel/redundant operation	max. 2 devices / via external diodes
Efficiency	77 %
Rated over load protection	110–135 %
Over voltage protection	125–145 %
Short circuit characteristics	Hiccup-mode

General

Switching frequency	approx. 100 kHz
Insulation voltage input/output	3.0 kV _{eff}
Insulation voltage input / ground	AC 1.5 kV _{eff}
Insulation resistance at DC 500 V	100 M Ω
Operation temperature range	-20 °C – 70 °C (derating)
Derating	-3% / ° C starting at 61° C
Storage temperature range	-25 °C – 85 °C
M.T.B.F.	808000 h
Relative humidity	20–95% RH, non-condensing
Dimensions (w × h × d)	22.5 × 90.0 × 115.0 mm
Cooling	Natural air cooling, 25 mm distance on all sides
Installation position	vertical
Housing material	Plastic
Protection class	IP 20
Field installation	rail TS 35 (EN 50022)
Application height	2000 m
IP rating	II (SELV, PELV)
Overvoltage category	II
Pollution degree	2
Weight (kg/piece)	0.120
Termination	Spring terminal: 0.2–2.0 mm ²
Approvals	UL: UL 508 listed; cUL: UL 60950-1, UL 1310 Class 2; TÜV: EN 60950-1, CE: EN 50081-1 / EN 55022 Class B, EN 61000-3-2, EN 601000-3-3, EN 50082-1 / EN 55024

Monitoring

DC ON Control (Rdy)	LED green/red
---------------------	---------------

08.11.2013 – Subject to technical modification

Part-No. 722751

USA: LUTZE INC.

13330 South Ridge Drive • Charlotte, NC 28273, USA

Tel. +1 (704) 504-0222 • Fax +1 (704) 504-0223

www.lutze.com • info@lutze.com

United Kingdom: LÜTZE Ltd.

Unit 3, Sandy Hill Park

Sandy Way, Amington • GB-Tamworth, Staffs B77 4DU

Tel. +44 (0)1827 31333-0 • Fax +44 (0)1827 31333-2

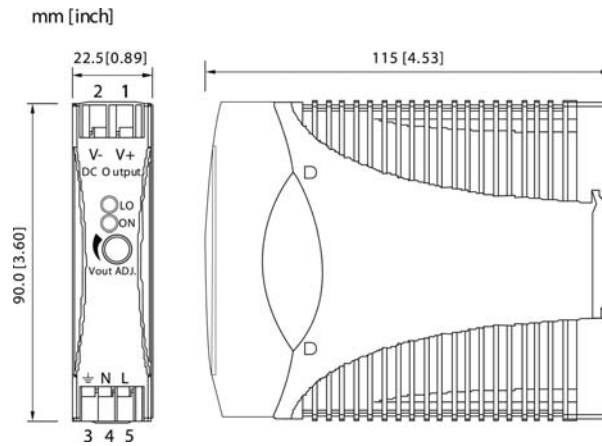
www.lutze.com • sales.gb@lutze.co.uk



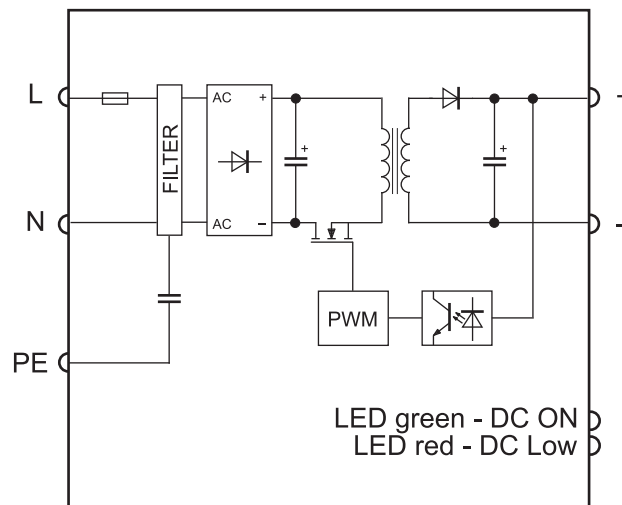
SYSTEMATIC TECHNOLOGY

Technical data sheet • Power supply

Dimensions



PIN assignment



08.11.2013 – Subject to technical modification

Part-No. 722751

USA: LUTZE INC.

13330 South Ridge Drive • Charlotte, NC 28273, USA

Tel. +1 (704) 504-0222 • Fax +1 (704) 504-0223

www.lutze.com • info@lutze.com

United Kingdom: LÜTZE Ltd.

Unit 3, Sandy Hill Park

Sandy Way, Amington • GB-Tamworth, Staffs B77 4DU

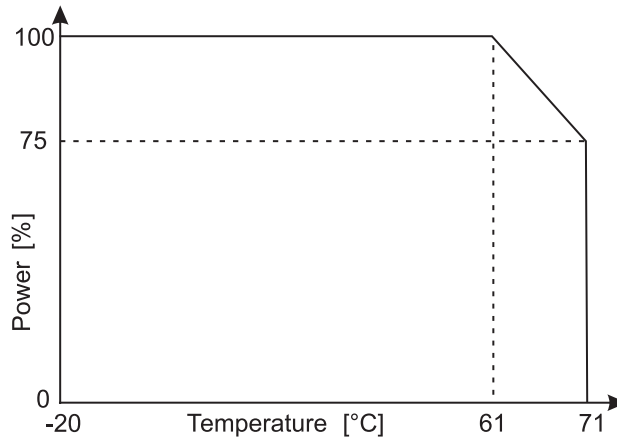
Tel. +44 (0)1827 31333-0 • Fax +44 (0)1827 31333-2

www.lutze.com • sales.gb@lutze.co.uk

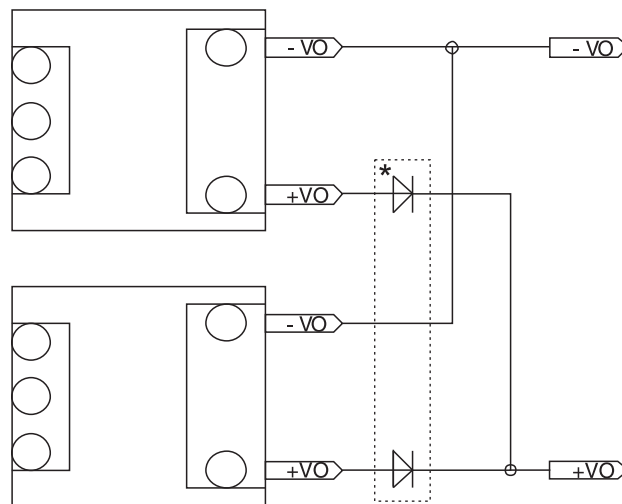


SYSTEMATIC TECHNOLOGY

Derating



Redundant operation



* Redundant Module 722987
Only use together with 24 V version!

08.11.2013 – Subject to technical modification

Part-No. 722751

USA: LUTZE INC.

13330 South Ridge Drive • Charlotte, NC 28273, USA

Tel. +1 (704) 504-0222 • Fax +1 (704) 504-0223

www.lutze.com • info@lutze.com

United Kingdom: LÜTZE Ltd.

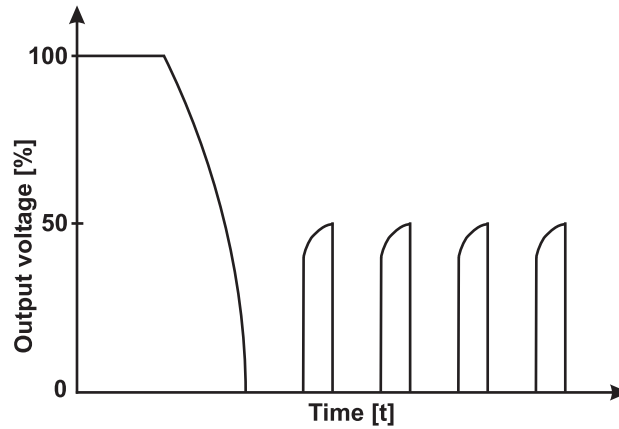
Unit 3, Sandy Hill Park

Sandy Way, Amington • GB-Tamworth, Staffs B77 4DU

Tel. +44 (0)1827 31333-0 • Fax +44 (0)1827 31333-2

www.lutze.com • sales.gb@lutze.co.uk

Short circuit characteristics



08.11.2013 – Subject to technical modification

Part-No. 722751

USA: LUTZE INC.

13330 South Ridge Drive • Charlotte, NC 28273, USA

Tel. +1 (704) 504-0222 • Fax +1 (704) 504-0223

www.lutze.com • info@lutze.com

United Kingdom: LÜTZE Ltd.

Unit 3, Sandy Hill Park

Sandy Way, Amington • GB-Tamworth, Staffs B77 4DU

Tel. +44 (0)1827 31333-0 • Fax +44 (0)1827 31333-2

www.lutze.com • sales.gb@lutze.co.uk



SYSTEMATIC TECHNOLOGY