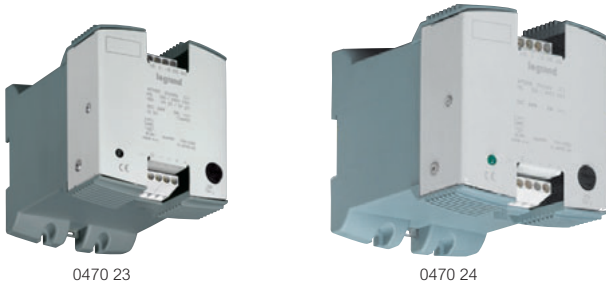


filtered power supplies

open type single phase



Dimensions and technical information (opposite and p. 113)

Filtered power supplies for PLCs and other equipment requiring a voltage of 12 V DC or 24 V DC

Include :

- twin output terminals for ease of connection
- safety transformer with interference filtration
- fuse protection on output
- green LED output voltage indicator
- capacitor in filtered range

Supplied with a connection link for quick connection between - and \perp up to 15 A

Fixing options :

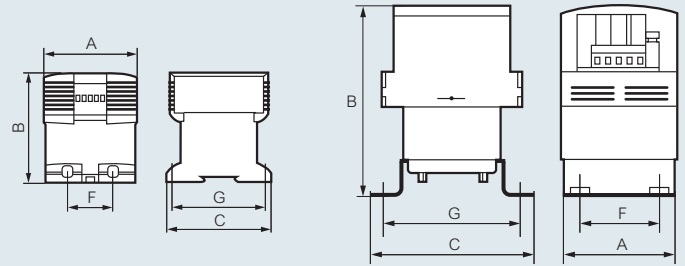
- clip directly to DIN rail up to 24 W
- clip on or screw fixing up to 120 W
- screw fixing only above 120 W

Pack	Cat. Nos.	Single phase filtered		C _{RU} US	
		12 V\perp output			
		230-400 V \pm 15 V \sim (input) / 12 V \perp (output)			
		Power (W)	Current rating (A)	Terminal capacity (mm ²) Flexible cable	
				Input	Output
1	0470 01	12	1	6	6
1	0470 02	30	2.5	6	6
1	0470 03	60	5	6	6
1	0470 04	120	10	6	6
		24 V\perp output			
		230-400 V \pm 15 V \sim (input) / 24 V \perp (output)			
		Power (W)	Current rating (A)	Terminal capacity (mm ²) Flexible cable	
				Input	Output
1	0470 20	12	0.5	6	6
1	0470 21	24	1	6	6
1	0470 22	60	2.5	6	6
1	0470 23	120	5	6	6
1	0470 24	240	10	6	6
1	0470 25	360	15	6	6

filtered power supplies

open type single phase

■ Dimensions



Cat. Nos. 0470 01/02/03 and 0470 20/21/22/23

Cat. Nos. 0470 04/24/25

Cat. Nos.	A (mm) Width	B (mm) Depth	C (mm) Height	F x G (mm) Fixing ctrs	Ø (mm)	Weight (Kg)
0470 01	68	98	88	DIN \perp	-	1.00
0470 02	93	121	105	DIN \perp	4-6	2.45
0470 03	105	135	115	DIN \perp	4-6	3.60
0470 04	126	186	175	75 x 150	5-5	6.35
0470 20	68	98	88	DIN \perp	-	1.00
0470 21	68	98	88	DIN \perp	-	1.00
0470 22	93	121	105	DIN \perp	4-6	2.45
0470 23	105	135	115	DIN \perp	4-6	3.60
0470 24	126	186	175	75 x 150	5-5	6.40
0470 25	126	206	175	75 x 150	5-5	7.60

■ Technical information

Conform to IEC/EN 61558-2-6, UL 60950
CAN/CSA C22.2 N° 60 950.00



Products are compatible with EN 61131-2, EN 60204 and EN 60439-1 apparatus

Input voltage : 230/400 V \sim \pm 15 V single phase 50/60 Hz - Class I
Output voltage : 12 V \perp or 24 V \perp
Insulation voltage : Input/Output 4 510 V
Input/Earth 2 260 V
Output/Earth 500 V

Max. ambient temperature without derating : 60 °C

Ripple factor : <3 %

Cooling by natural convection

Integral fuse protection on output

Can be fixed to symmetrical rail \perp 7.5 mm or 15 mm depth EN 60715

Screw fix only Cat. Nos. 0470 04/24 and 25

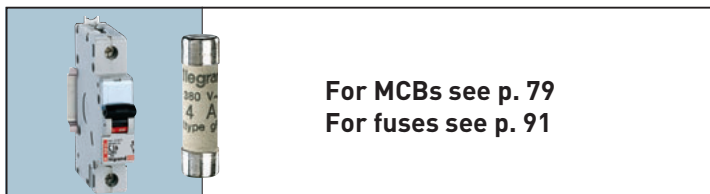
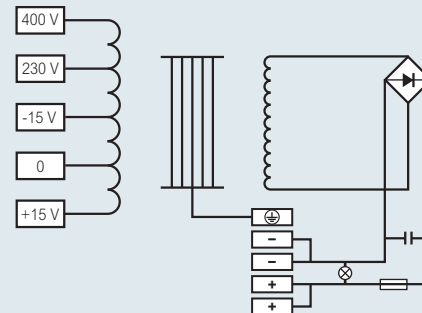
Screw fix or clip on to DIN rail Cat. Nos. 0470 02/03/22 and 23

Supplied with a connection link for quick connection between terminals and earth

Note : To conform to UL, product must be mounted in the vertical position (mounting against support) for Class A ambient temperature rating 25 °C

■ Operating diagram

Operating current up to 15 A



For MCBs see p. 79
For fuses see p. 91