

distribution terminal blocks



Conform to standard IEC 60998-2-1
 Supplied ready for use (screws captive and backed-off)
 100 A max. - 400 V~ with 25 mm² incoming
 80 A max. - 400 V~ with 16 mm² incoming
 Ipk (kA) 60 : Icw (kA) 3-5

Pack	Cat. Nos.	Unshrouded terminal blocks		
		Fix using M4 dia. screw		
		Incoming capacity	Outgoing capacity	Terminal length (mm)
10	0048 01	1 x 6 to 25 mm ²	4 x 1.5 to 16 mm ²	45
10	0048 03	1 x 6 to 25 mm ²	8 x 1.5 to 16 mm ²	73
10	0048 05	1 x 6 to 25 mm ²	14 x 1.5 to 16 mm ²	122
10	0048 06	1 x 6 to 25 mm ²	19 x 1.5 to 16 mm ²	157
10	0048 07	1 x 6 to 25 mm ²	24 x 1.5 to 16 mm ²	192

		Partly shrouded terminal blocks on base		
		For fixing to 12 x 2 mm rail		
		Supplied with Duplix markers ⁽¹⁾		
		Incoming capacity	Outgoing capacity	Terminal length (mm)
10	0048 20 ⁽¹⁾	-	4 x 1.5 to 16 mm ²	47
10	0048 22 ⁽¹⁾⁽²⁾	-	8 x 1.5 to 16 mm ²	75
10	0048 24 ⁽¹⁾⁽²⁾	1 x 6 to 25 mm ²	12 x 1.5 to 16 mm ²	113
10	0048 25 ⁽¹⁾	1 x 6 to 25 mm ²	16 x 1.5 to 16 mm ²	141

		Fully shrouded terminal blocks providing finger protection IP 2x		
		For fixing to 12 x 2 mm rail		
		Incoming capacity	Outgoing capacity	Terminal length (mm)
10	0048 50	-	4 x 1.5 to 16 mm ²	47
10	0048 52 ⁽²⁾	-	8 x 1.5 to 16 mm ²	75
10	0048 54 ⁽²⁾	1 x 6 to 25 mm ²	12 x 1.5 to 16 mm ²	113
10	0048 55	1 x 6 to 25 mm ²	16 x 1.5 to 16 mm ²	141
10	0048 56	1 x 6 to 25 mm ²	21 x 1.5 to 16 mm ²	176
10	0048 58	2 x 6 to 25 mm ²	33 x 1.5 to 16 mm ²	276
		Earth (green)		
10	0048 30	-	4 x 1.5 to 16 mm ²	47
10	0048 32 ⁽²⁾	-	8 x 1.5 to 16 mm ²	75
10	0048 34 ⁽²⁾	1 x 6 to 25 mm ²	12 x 1.5 to 16 mm ²	113
10	0048 35	1 x 6 to 25 mm ²	16 x 1.5 to 16 mm ²	141
10	0048 36	1 x 6 to 25 mm ²	21 x 1.5 to 16 mm ²	176
10	0048 38	2 x 6 to 25 mm ²	33 x 1.5 to 16 mm ²	276

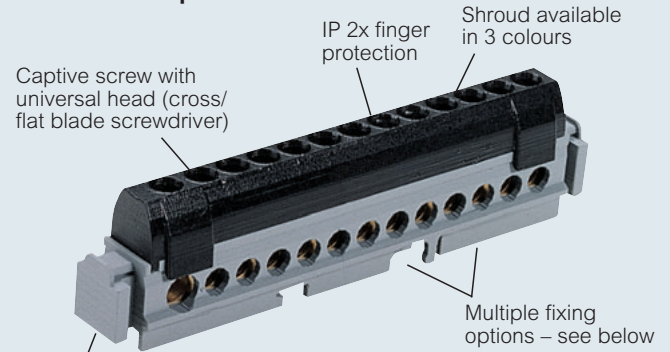
		Fully shrouded terminal blocks 3 phase + neutral (3 black + 1 blue)		
1	0048 14	Incoming capacity	Outgoing capacity	Terminal length (mm)
		Neutral x 1	12 x 1.5 to 16 mm ²	227
		1 x 4 to 25 mm ²	3 x 1.5 to 16 mm ²	
		Phase x 3		

		Supports for terminal blocks		
		Terminal side support		
1	0048 10	Consists of two side supports for positioning of up to 4 x IP 2x terminal blocks with the same dimensions to create a 2, 3 or 4 pole distribution block		
		Terminal rail support		
5	0048 11	Adaptor support for or rail. Provides a firm fixing allowing IP 2x terminal blocks to be side or top mounted on to adaptor		
		Rail		
10	0048 19	1 metre length of 12 x 2 mm terminal mounting rail - accepts partly and fully shrouded terminals		

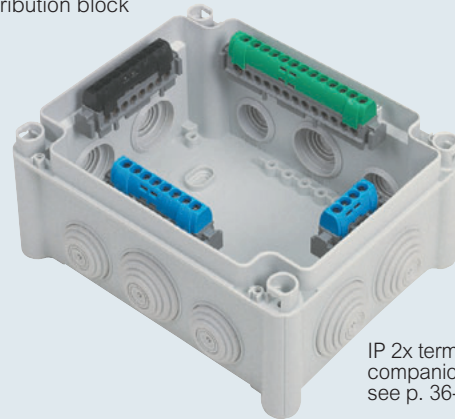
(1) Each terminal supplied with :
 - 2 green Duplix markers (+) - 2 blue Duplix markers (N) - 2 red Duplix markers (L)
 (2) Can be fixed directly to DIN rail without accessory

distribution terminal blocks

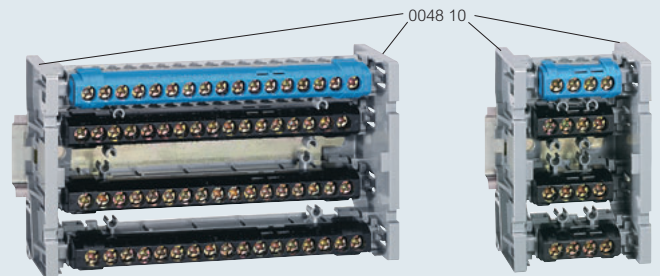
Connection protection



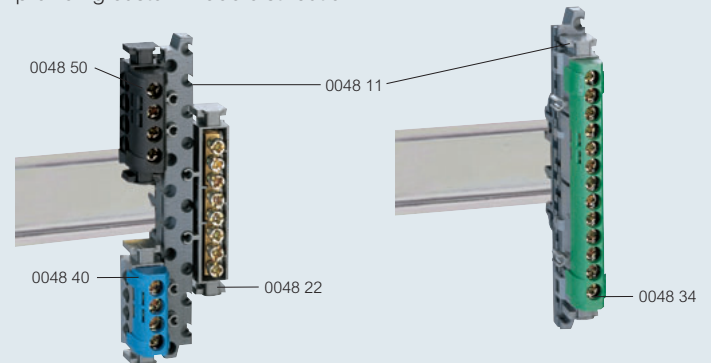
Fixes into side supports to construct a distribution block



Use of terminal supports Cat. No. 0048 10



Terminal supports Cat. No. 0048 10 fitted with fully shrouded terminals providing custom made distribution



Adaptor support Cat. No. 0048 11 showing method of fixing terminals

For Plexo weatherproof boxes

see p. 36-40